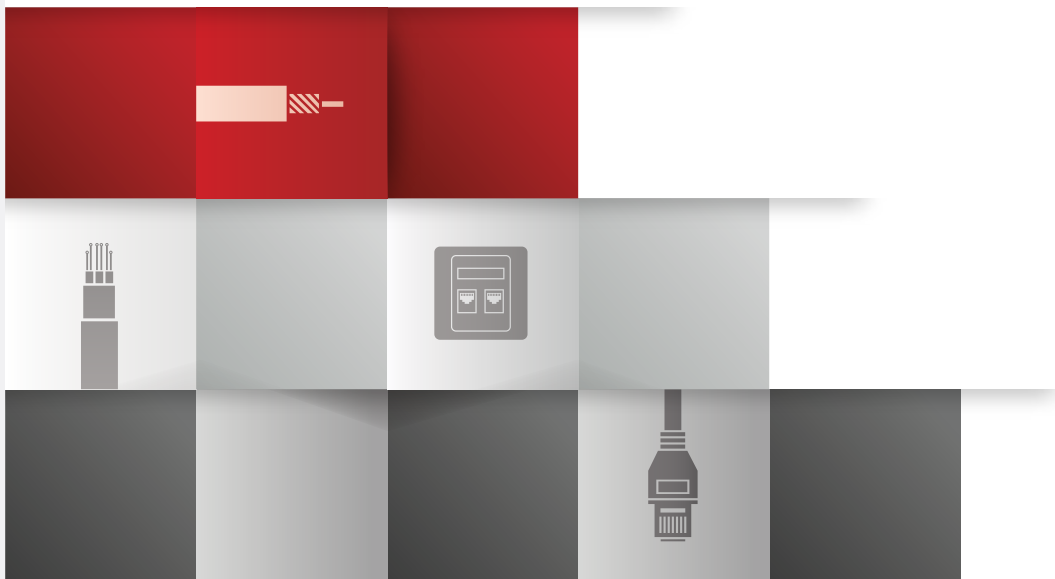


# Product Line-Up

End-To-End Network Cabling Solutions



For industrial communications, buildings management, ICT and broadcast applications.

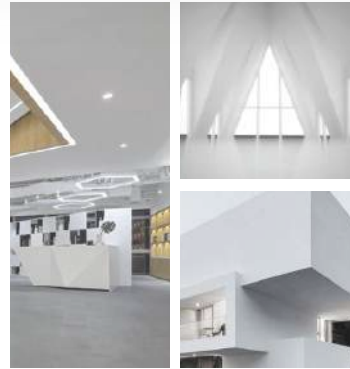


## ONE WORK

End-to-end solution that build o



Optic Digital provides high quality cabling solutions including CAT5, CAT6 network cables, RG6 coaxial cables, fibre optics, low voltage cables, as well as fire resistance and industrial cables



## WHAT LINKS COMMUNITIE

Cable solutions support the telecoms infrastructure. A range of cables, supporting the industry, delivers optical fibre and communications and com. Our portfolio sets the benchmark for the outcome of continuous evolution of industry.



## OPTICAL SOLUTION

This is the secret of high-capacity optical fiber. Only top quality permits an optimum data transmission - especially in the new high speed networks.



## GIGABIT NETWORK

Due to high demand of modern network, Gigabit speed and transmission reliability are of utmost priority. In this respect, we also offer high-capacity and flexible communication cable solution to ensure every transmission are in optimum performance.



# Index

## Table of Contents

---

<b>01</b>	<b>Fiber Optics</b>	<b>04 - 31</b>
	Fiber Optic Cables	05 - 09
	Fiber Connectors, Couples, Patchcords & Pigtails	10 - 15
	Fiber Termination Boxes, Enclosures & Patch Panels	16 - 31
<b>02</b>	<b>Network Infrastructure</b>	<b>32 - 59</b>
	Network Cables	33 - 46
	Pacth Cords, Faceplates, Keystone Jacks	47 - 57
	Patch Panels	58 - 59
<b>03</b>	<b>Equipment Racks</b>	<b>60 - 75</b>
	Distribution Frames	61 - 65
	Equipments & Accessories	66 - 75



**01**

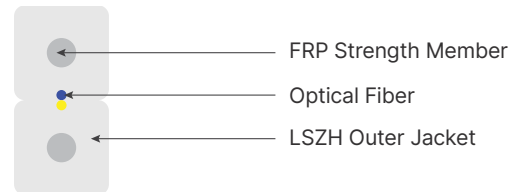
## **Fiber Optics**

# ODFDSMW-In

## Singlemode Indoor FTTH Drop Cable (Type: G657A)

### Description

FTTH indoor drop cable is constructed with two single mode fiber. The cable is protected by a dielectric strength member made of fiberglass reinforced plastic (FRP) and a LSZH outer jacket. Ideal for use in FTTH & FTTx applications between the building's main telecommunications room and the apartment or office consolidation point.



### Features

- Robust and lightweight
- Colour coded fibers for easy identification
- LSZH jacket for indoor use
- Suitable for TM Unifi applications

### Physical Characteristics

Optical Fiber	2 core
Color of Buffer	1-Blue / 1-Yellow
Core Diameter	250 ± 15µm
Mode	Singlemode
Strength Member	KFRP / FRP
Diameter	∅ 0.6 / 0.52 ± 0.05mm
Sheath	LSZH
Nominal Thickness	Minimum 0.4mm
<b>Cable Construction</b>	
Dimension	Max: 3.0×2.0mm ± 0.2mm
Weight	Approx. 8kg/km

### Optical Characteristics

Cladding Diameter	µm	125 ± 0.7
Cladding Non-Circularity	%	< 1.0
Core Conncentricity Error	µm	< 0.5
Mode Filed Diameter	µm	1310nm: (8.6 ~ 9.5 ± 0.4)
Mode Cutoff Wavelength	µm	< 1260
Attenuation Coefficients	dB/km	1310nm: (< 0.4) 1510nm: (< 0.3)
Macro Bending Loss	dB	10 turns, 30mm diameter (< 0.25) 1 turn, 20mm diameter (< 0.75)

### Sheath Feature Of Optical Fiber Cable

Sheath tensile Strength before thermal aging	Mpa	> 15
The change rate of sheath tensile strength before and after thermal aging	%	< 10
Sheath break elongation before thermal aging	%	> 170
Sheath break elongation after thermal aging	%	> 150
The change rate of sheath break elongation before and after thermal aging	%	< 20

### Physical Characteristics

Temperature Range	-40°C ~ +60°C
Fire Performance	IEC 60332-1, IEC 60754-2, IEC 61034

### Available Options

ODFD001SMW-In	Singlemode indoor FTTH fiber drop cable	SM, indoor, 1 Core
ODFD002SMW-In	Singlemode indoor FTTH fiber drop cable	SM, indoor, 2 Cores
ODFD004SMW-In	Singlemode indoor FTTH fiber drop cable	SM, indoor, 4 Cores
ODFD006SMW-In	Singlemode indoor FTTH fiber drop cable	SM, indoor, 6 Cores

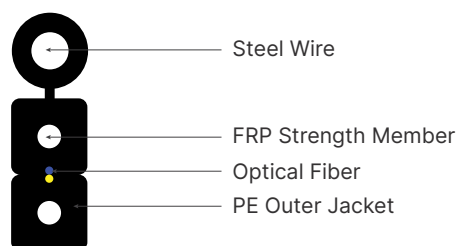
# ODFDSMB-Out

## Singlemode Outdoor FTTH Drop Cable (Type: G657A)

### Description

FTTH outdoor drop cable is constructed with two single mode fiber. The cable is protected by a dielectric strength member made of fiberglass reinforced plastic (FRP), steel wire and a PE outer jacket.

Designed for outdoor installation the cable is well suited for connections between the dome closure and small dwelling unit / warehouse and independent villas.



### Features

- Robust and lightweight
- Colour coded fibers for easy identification
- Steel wire support
- Suitable for outdoor wiring and TM Unifi applications

### Physical Characteristics

Core Diameter	250 ± 15µm
Mode	Singlemode
Strength Member	KFRP / FRP
Diameter	Ø 0.6 / 0.52 ± 0.05mm
Strength Member 2	Steel Wire
Diameter	Ø 0.2 ± 0.05mm
Sheath	Outdoor PE
Nominal Thickness	Minimum 0.4mm
<b>Cable Construction</b>	
Dimension	Max: 5.3×2.0mm ± 0.2mm
Weight	Approx. 20kg/km

### Optical Characteristics

Cladding Diameter	µm	125 ± 0.7
Cladding Non-Circularity	%	< 1.0
Core Conncentricity Error	µm	< 0.5
Mode Filed Diameter	µm	1310nm: (8.6 ~ 9.5 ± 0.4)
Mode Cutoff Wavelength	µm	< 1260
Attenuation Coefficients	dB/km	1310nm: (< 0.4) 1510nm: (< 0.3)
Macro Bending Loss	dB	10 turns, 30mm diameter (< 0.25) 1 turn, 20mm diameter (< 0.75)

### Sheath Feature Of Optical Fiber Cable

Sheath tensile Strength before thermal aging	Mpa	> 15
The change rate of sheath tensile strength before and after thermal aging	%	< 10
Sheath break elongation before thermal aging	%	> 170
Sheath break elongation after thermal aging	%	> 150
The change rate of sheath break elongation before and after thermal aging	%	< 20

### Physical Characteristics

Temperature Range	-40°C ~ +60°C
Fire Performace	IEC 60332-1, IEC 60754-2, IEC 61034

### Available Options

ODFD002SMB-Out	2 cores Singlemode outdoor FTTH fiber drop cable	SM, outdoor, 2 Cores
ODFD004SMB-Out	4 cores Singlemode outdoor FTTH fiber drop cable	SM, outdoor, 4 Cores

# ODGJPFJH Series

## Multi-Core Distribution Indoor Fiber Optic Cable

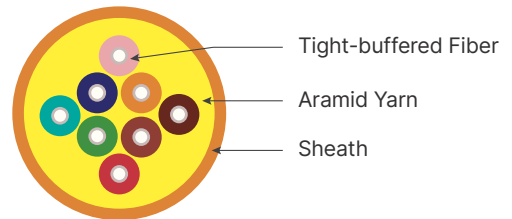
### Features

- Excellent mechanical and environmental properties
- Excellent flame-retardant performance
- Excellent mechanical performance of the cable sheath
- Soft, flexible, easy for splicing
- Comply with standard YD/T 1258.4-2005
- LZSH compliant to IEC61034, IEC60754-1-1&2, IEC60332-1 & 60332-3-24



### Applications

- Used for indoor cabling, especially used as distribution cable
- Used as the interconnections between communication equipments, or the interconnections for telecommunication control rooms or distribution frames.



### Specifications

Cable cores	Overall diameter of cable (mm)	Cable weight (kg/km)	Minimum bending radius		Tensile (N)		Crush (N/100m)	
			Static	Dynamic	Short term	Long term	Short term	Long term
4	5.0 ±0.3	17	10D	20D	70	220	200	1000
6	5.2 ±0.3	21			100	300	200	1000
8	5.5 ±0.3	28			130	440	200	1000
12	6.5 ±0.3	36			300	600	200	1000
16	7.5 ±0.3	44			350	700	200	1000
24	8.0 ±0.3	59			400	800	200	1000
48	12.5 ±0.3	130			600	1200	200	1000

### Ordering Information

Product code	Core Quantity	Fiber Type	Sheath
ODGJPFJH	XXX	XX	X
	002 - 2 Cores 004 - 4 Cores 006 - 6 Cores 048 - 48 Cores	SM - Singlemode G657A, 9µm M1 - OM1, 62.5µm M2 - OM2, 50µm M3 - OM3, 50µm M4 - OM4, 50µm	- N/A L - LSZH

### Example

ODGJPFJH006SM = GJPFJH series indoor singlemode 9µm with 6 cores fiber optic cable.

ODGJPFJH012M3L = GJPFJH series indoor multimode OM3 50µm, 12 cores fiber optic cable with LSZH jacket.

# ODGYXTW Series

## Unitube Outdoor 2-96 Cores Fiber Optic Cable

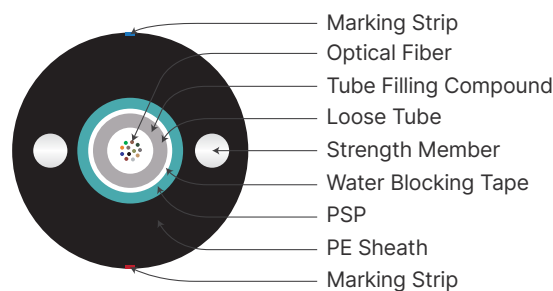
### Features

- Good mechanical and temperature performance
- High strength loose tube that is hydrolysis resistant
- Special tube filling compound ensure a critical protection of fiber
- Crush resistance and flexibility, suitable for buried duct / indoor and outdoor installation
- PSP enhancing moisture-proof and long delivery length
- Two parallel strength members ensure tensile strength
- Small outer diameter, light weight and friendly installation
- Flame retardant: IEC60332-3-24



### Technical Data

Tensile Strength (N)	
Short term	Long term
600	1500
Crush Resistance (N/100m)	
Short term	Long term
300	1000
Bending Radius (mm)	
Static	Long term
10D	20D



### Optical Characteristics

		G.652	G.655	50/125μm	62.5/125μm
Attenuation (+20°C)	@ 850nm			≤3.0 dB/km	≤3.0 dB/km
	@ 1300nm			≤1.0 dB/km	≤1.0 dB/km
	@ 1310nm	≤0.36 dB/km	≤0.40 dB/km		
	@ 1550nm	≤0.22 dB/km	≤0.23 dB/km		
Bandwidth (Class A)	@ 850nm			≥500 MHz/km	≥200 MHz/km
	@ 1300nm			≥1000 MHz/km	≥600 MHz/km
Numerical Aperture				0.200±0.015NA	0.275±0.015NA
Cable Cut-off Wavelength		≤1260nm	≤1480nm		

### Ordering Information

Product code	Core Quantity	Fiber Type	Sheath
ODGYXTW	XXX	XX	X
	002 - 2 Cores 004 - 4 Cores 006 - 6 Cores ⋮ 096 - 96 Cores	SM - Singlemode G657A, 9μm M1 - OM1, 62.5μm M2 - OM2, 50μm M3 - OM3, 50μm M4 - OM4, 50μm	- N/A L - LSZH

### Example

ODGYXTW012M2 = GYXTW series outdoor multimode OM2, 50μm with 12 cores fiber optic cable.

ODGYXTW008SML = GYXTW series outdoor singlemode 9μm, 8 cores fiber optic cable with LSZH jacket.



# ODGYTS Series

## 4-144 Cores Corrugated Steel Tape Armoured PE-UV Black Outdoor Fiber Optic Cable

### Features

Buried duct or indoor/outdoor installation

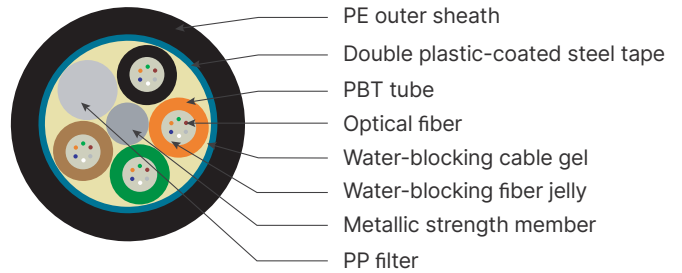
Structured features: metallic central strength member(phosphated steel wire), double plastic-coated corrugated steel tape - PE bonded outer sheath.



Performance characteristics: excellent crush resistance with steel tape armor, sound bullet-proof performance.

Application: long-haul communication, communication between stations, especially suitable for application with high requirement of crush resistance like aerial installation.

- Inner sheath: LSZH
- Steel wire armouring (SWA)
- UV resistance
- Flame retardant: IEC60332-3-24
- Anti rodent & termite additives



### Specifications

Cable cores	Overall diameter of cable (mm)	Cable weight (kg/km)	Minimum bending radius		Tension allowed (N)		Crush resistance (N/100m)		
			Static	Dynamic	Short term	Long term	Short term	Long term	
4 - 8F	8.0 ±0.3	62	10 times O.D.	20 times O.D.	1500	500	3000	1000	
12 - 24F	8.8 ±0.3	78			1800	500	3000	1000	
24 - 60	10.5 ±0.3	112			1500	600	1000	300	
72	11.5 ±0.3	138			2000	600	1000	300	
96	13.5 ±0.3	165			2500	800	1000	300	
120	15.8 ±0.3	222							
144	15.8 ±0.3	222							

### Ordering Information

<b>Product code</b> ODGYTS	<b>Core Quantity</b> XXX 002 - 2 Cores 004 - 4 Cores 006 - 6 Cores ⋮ 144 - 144 Cores	<b>Fiber Type</b> XX SM - Singlemode G657A, 9µm M1 - OM1, 62.5µm M2 - OM2, 50µm M3 - OM3, 50µm M4 - OM4, 50µm	<b>Sheath</b> X - N/A L - LSZH
-------------------------------	--------------------------------------------------------------------------------------------------------	---------------------------------------------------------------------------------------------------------------------------------	-----------------------------------------

### Example

**ODGYTS004SM** = GYTS series outdoor PE singlemode 9µm with 4 cores fiber optic cable.

**ODGYTS012M2L** = GYTS series outdoor multimode OM2, 50µm, 12 cores fiber optic cable with LSZH jacket.

# Fiber Connector/Coupler

A variety type of Fiber Optic Connectors/Couplers

## Overview

Optic Digital offers an extensive range of optical couplers for use in FTTx, telecommunications, data communications and CATV applications. All couplers are fully qualified to Telcodia GR326 and IEC 61300 and all materials used are RoHS complaint. Couplers can be supplied in a variety of colors and types such as SC, FC, ST, LC, E2000 etc.

## Features

- Qualified to Telcodia GR326 and IEC 61300 standards and RoHS complaint materials. Flamability rate: UL94V-0
- Available for many different connector types such as SC, FC, ST, LC, E2000, MTRJ etc.
- Insertion Loss  $\leq 0.5\text{dB}$
- All couplers are supplied with ceramic inserts. Durability more than 1000 times
- Supplied in a range of different colors to match connector type.
- Both simplex and duplex couplers are available.

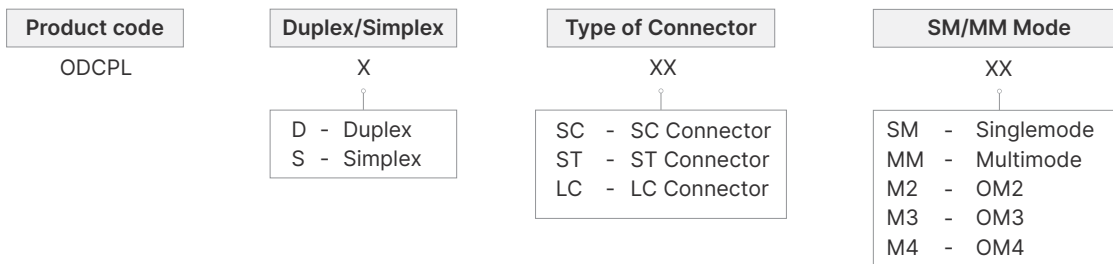
## Applications

- FTTx
- CATV
- Data Communication
- Telecommunications
- Test and measurement

## Technical Data

	Singlemode (1310 / 1550nm)	Multimode (850nm)
Maximum Insertion Loss (dB)	$\leq 0.3$ Typical 0.2 (UPC and APC)	$\leq 0.4$ (UPC)
Return Loss (dB)	$\geq 55$ (UPC), $\geq 65$ (APC)	Not measured
Intermateability	IEC 874-14	IEC 874-4
Operating temperature	-40°C to + 85°C	-40°C to + 85°C

## Ordering Information



## Example

ODCPLDSCSM = Duplex SC singlemode fiber optic coupler.

ODCPLSLCM3 = Simplex LC Multimode OM3 fiber optic coupler.



SC Adapter, Simplex



SC Adapter, Duplex



FC Adapter, Singlemode



FC Adapter, Multimode



LC Adapter, Singlemode



LC Adapter, Multimode



ST Adapter, Singlemode



ST Adapter, Multimode

# Fiber Pigtaills

A variety type of Fiber Optic Pigtaills

## Overview

High performance optical pigtaills ensuring performs to the highest level. Offering an extensive range of optical pigtaills for use in FTTx, telecommunications, data communications and CATV applications. All pigtaills are fully qualified to ISO9001 and RoHS Complaint. Can be supplied in a variety of lengths and with a variety of different connector types with Fiber Grade SMF: G657.A1, OMI: G651

## Features

- Full traceability and test certification supplied with each assembly.
- Ultra polish (UPC) supplied as standard and Angle polish (APC) also available.
- Qualify Telcordia standard and RoHS Complaint materials
- properties. Many different connector types such as FC, SC, ST, E2000, LC, DIN and others on request.
- Available in singlemode and multimode (50/125 and 62.5/125)
- Standard cable diameter is 900 microm with easy strip buffering.

## Applications

- FTTx
- CATV
- Data Communication
- Telecommunications
- Test and measurement



ST Pigtaills



FC Pigtaills



SC Pigtaills



LC Pigtaills



SC/APC Pigtaills

## Technical Data

	Singlemode (1310 / 1550nm)	Multimode (850nm)
Maximum Insertion Loss (dB)	≤ 0.3 Typical 0.2 (UPC and APC)	≤ 0.4 (UPC)
Return Loss (dB)	≥ 55 (UPC), ≥ 65 (APC)	Not measured
Intermateability	IEC 874-14	IEC 874-4
Operating temperature	-40°C to + 85°C	-40°C to + 85°C

## Ordering Information

Product code	Type	Type of Connector	SM/MM Mode	Length
ODPT	X	XX	XX	XX
	<div style="border: 1px solid black; padding: 2px; width: fit-content; margin: 0 auto;">S - Simplex</div>	<div style="border: 1px solid black; padding: 2px; width: fit-content; margin: 0 auto;">                     SC - SC connector                      ST - ST connector                      LC - LC connector                      FC - FC connector                 </div>	<div style="border: 1px solid black; padding: 2px; width: fit-content; margin: 0 auto;">                     SM - SM, 9µm                      M1 - OM1, 62.5µm                      M2 - OM2, 50µm                      M3 - OM3, 50µm                      M4 - OM4, 50µm                 </div>	<div style="border: 1px solid black; padding: 2px; width: fit-content; margin: 0 auto;">                     1 - 1m                      2 - 2m                      ?                      99 - 99m                 </div>

### Example

ODPTSSCSM-1 = Simplex SC connector singlemode 9µm fiber pigtaills in 1 meter length.

# Fiber Patchcord

A variety type of Fiber Optic Patchcords

## Overview

High performance optical patchcord ensuring performs to the highest level. Optic Digital offering an extensive range of optical pactcord for use in FTTx, telecommunications, data communications and CATV applications. All patchcords are fully qualified to RoHS Complaint. Can be supplied in a variety of lengths and with a variety of different connector types with Fiber Grade SMF: G657.A1/A2, OMI: G651

## Features

- Full traceability and test certification supplied with each assembly.
- Ultra polish (UPC) supplied as standard and Angle polish (APC) also available.
- Qualify Telcordia standard and RoHS Complaint materials properties.
- Many different connector types such as FC, SC, ST, E2000, LC, DIN and others on request.
- Available in singlemode and multimode (50/125 and 62.5/125)
- Standard length supplied is 1m to 99m.
- Cable diameters available in 1.6mm, 2mm and 3mm.
- All connectors are supplied with zirconia ceramic ferrules.



FC/PC-FC/PC



LC/PC-LC/PC



SC/PC-SC/PC



SC/UPC-SC/UPC

## Applications

- FTTx
- CATV
- Data Communication
- Telecommunications
- Test and measurement

## Technical Data

	Singlemode (1310 / 1550nm)	Multimode (850nm)
Maximum Insertion Loss (dB)	≤ 0.3 Typical 0.2 (UPC and APC)	≤ 0.4 (UPC)
Return Loss (dB)	≥ 55 (UPC), ≥ 65 (APC)	Not measured
Intermateability	IEC 874-14	IEC 874-4
Operating temperature	-40°C to + 85°C	-40°C to + 85°C

## Ordering Information

Product code	Duplex/Simplex	Type of Connector	SM/MM Mode	Length	Sheath
ODPC	X	XXXX	XX	XX	X
	D - Duplex S - Simplex	SCSC - SC to SC SCFC - SC to FC SCST - SC to ST FCFC - FC to FC FCST - FC to ST STST - ST to ST LCLC - LC to LC LCSC - LC to SC LCFC - LC to FC LCST - LC to ST	SM - SM, 9µm M1 - OM1, 62.5µm M2 - OM2, 50µm M3 - OM3, 50µm M4 - OM4, 50µm	1 - 1m 2 - 2m ⋮ 99 - 99m	- N/A L - LSZH

### Example

ODPCDSCSCSM-1 = Duplex SC to SC singlemode 9µm fiber patchcord in 1 meter length.

ODPCSFCFCSM-1L = Simplex FC to FC singlemode 9µm fiber patchcord in 1 meter length with LSZH jacket.

# ODPLC Series

## 1×4-64 Optical Fiber PLC Splitter

### Overview

The ODPLC series splitter for today's high-port count applications that demand the best performance and the highest reliability under the most adverse of environments. ODPLC Splitter modules deliver on all these requirements. The PLC module features low insertion loss, low polarization dependent loss, and high port-to-port uniformity. The PLC Splitter are available in 1×4-64 channel configurations with SC or LC pigtailed.



### Features

- Low Insertion loss
- Good channel-to-channel uniformity
- High Reliability and Stability
- Excellent Environmental Stability and Widely Used
- ISO14001, ISO9001, RoHS and CE
- Fiber type: G657.A1

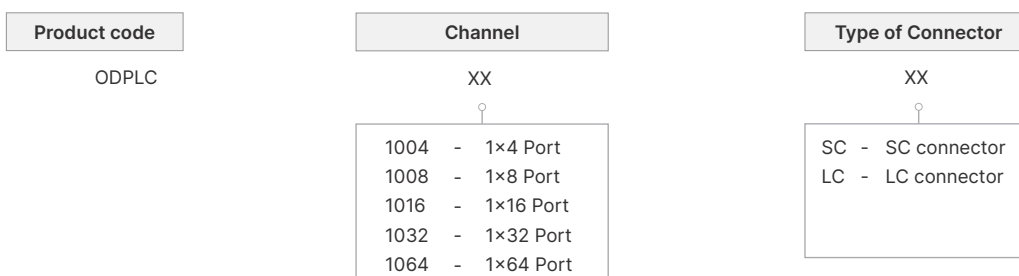
### Applications

- FTTx
- CATV Systems
- PON Networks
- Telecommunications
- Other applications in fiber optic systems

### Technical Data

	1×4 Port	1×8 Port	1×16 Port	1×32 Port	1×64 Port
	Maximum				
Operating Wavelength	1260-1650nm				
Insertion Loss	8.0dB	11.5dB	14.7dB	18.3dB	22.7dB
Insertion Loss Uniformity	1.0dB	1.2dB	1.7dB	2.2dB	2.6dB
Polarization Dependent Loss	0.3dB	0.3dB	0.4dB	0.45dB	0.49dB
Directivity	>55dB				
Return Loss	>50dB				
Maximum Optical Power	300MW				
Operating Temperature	-5°C to +65°C				
Storage Temperature	-40°C to +85°C				

### Ordering Information



### Example

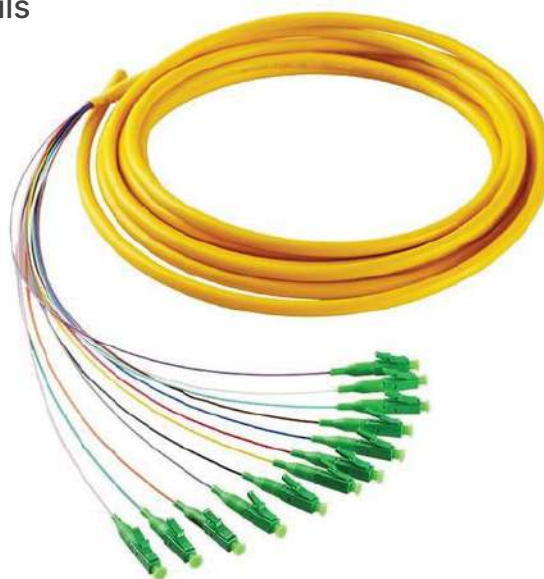
ODPLC1016LC = 1×16 LC adapter PLC splitter.

# Bundle Fiber Pigtaills

## Multi Cores Rainbow Color Bunch Fiber Optic Pigtaills

### Overview

High performance multi core optical pigtaills ensuring performs to the highest level. Offering an extensive range of optical pigtaills for use in FTTx, telecommunications, data communications and CATV applications. All pigtaills are fully qualified to RoHS Compliant. Can be supplied in a variety of number of core and with a variety of different connector types. G657.A1 low loss fiber & 10mm min bend radius, provide improved flexibility for limited space setups.



### Features

- Full traceability and test certification supplied with each assembly.
- Ultra polish (UPC) supplied as standard and Angle polish (APC) also available.
- Qualify Telcordia standard and RoHS Compliant materials properties.
- Many different connector types such as FC, SC, ST, E2000, LC, DIN and others on request.
- Available in singlemode and multimode (50/125 and 62.5/125)
- Multi core color pigtaills are available.
- Cable diameters available in 0.9mm to 3mm.
- All connectors are supplied with ceramic ferrules.
- ISO9001 and RoHS compliant

### Applications

- FTTx
- CATV
- Data Communication
- Telecommunications
- Test and measurement

### Technical Data

	UPC(SM)	APC(SM)	UPC(MM)
Maximum Insertion Loss		≤0.2dB	
Maximum Return Loss	≥50dB	≥60dB	≥35dB
Cable Diameter		2.0mm, 3.0mm	
Durability		1000 matings, <0.3dB	
Interchangeability		<0.2dB	
Operating Temperature		-40°C to +85°C	

### Ordering Information

Product code	Core	SM/MM Mode	Type of Connector
ODPTRB	XX	XX	XX
	04 - 4 Core 08 - 8 Core 12 - 12 Core	SM - SM, 9µm M1 - OM1, 62.5µm M2 - OM2, 50µm M3 - OM3, 50µm M4 - OM4, 50µm	SC - SC connector ST - ST connector LC - LC connector FC - FC connector

### Example

ODPTRB12SMLC = 12 Cores Singlemode LC connector bundle pigtaills.

# Waterproof Fiber Patchcord

## IP67 Waterproof Optical Fiber Patchcord

### Overview

The waterproof fiber optic patchcords are designed to fit for outdoor applications. The strong PU jacket and armored structure can resist high temperature and suit to use in harsh environment. The waterproof fiber patchcord connector meet IP66/67 environmental sealing ratings and are the ideal choice for a low cost and easy to use solution in industrial, fiber to the Antenna, or any other harsh environmental applications with Fiber Grade SMF: G657.A1/A2, OMI: G651



### Features

- High temperature stability
- Low insertion loss
- Water proof, dust proof and corrosion resistant
- Bump resistance
- Reliable and cost-effective installation
- Fully Water-blocked
- IP67 sheath sealing rating

### Applications

- FTTH
- FTTA
- LAN Tet equipment
- 3G,4G Base Station
- Horizontal and Vertical Cabling

### Optical Characteristics

	Singlemode	Multimode
Insertion Loss	0.20dB	0.30dB
Return Loss	50dB	35dB
Storage Temperature	-55°C to +85°C	-55°C to +85°C
Operating Temperature	-40°C to +70°C	-40°C to +70°C
Repetition Test (Additional Loss)	0.1dB	0.1dB
Repetition Test (Return Loss Variability)	<5dB	<5dB
Temperature Stability (Additional Loss)	0.2dB	0.2dB
Temperature Stability (Return Loss Variability)	<5dB	<5dB
Bump Resistance	4000 bumps @ 40g acceleration	4000 bumps @ 40g acceleration
Tensile Strength	Tensile of 1500N-cable dependent	Tensile of 1500N-cable dependent

### Ordering Information

Product code	Duplex/Simplex	Type of Connector	SM/MM Mode	Length	Sheath
ODPCIP	X	XXXX	XX	XX	X
	D - Duplex S - Simplex	SCSC - SC to SC SCFC - SC to FC	SM - SM, 9µm M1 - OM1, 62.5µm M2 - OM2, 50µm M3 - OM3, 50µm M4 - OM4, 50µm	1 - 1m 2 - 2m ⋮ 99 - 99m	- PE

### Example

ODPCIPSSCSCSM-1 = Simplex SC to SC singlemode 9µm waterproof fiber patchcord 1m length with PE sheath.

# ODTray

## Fiber Optic Splice Tray

### Overview

Fiber optic splice tray is used for optic fiber management, storage and fiber optic fusion splice protection, easy for installation and movement.

The splice tray expands fiber splice capabilities as well as provides the splicing location for fiber optic cables. It can be put into the fiber distribution frame, fiber splice closure, optic terminal box etc.



### Features

- Splice-tray configurations offered: 6 , 12 and 24 Fibers.
- Types of Splice Trays: Plastic (with a clear Cover)
- Can be used in 1U, 2U or 4U Rack-mount patch panels.

### Applications

- FTTx networks
- Data communication networks
- Indoor applications

### Specifications

Capacity	6-24 Ports
Material	ABS Flame
Environment Temperature	-40°C ~ +55°C
Relative Humidity	≤85% (30°C)
Atmosphere Pressure	70 ~ 106KPa
Tensile Strength	>1000N
Fiber Bending RADIUS	≥40mm
Sealing Performance	Unchanged for 72 hour on pressure 70kpa
Life	1000 times

### Available Options

ODTray0602	6-Port fiber optic splice tray	6-Port
ODTray1202	12-Port fiber optic splice tray	12-Port
ODTray2402	24-Port fiber optic splice tray	24-Port



# ODFWS

## 86 × 86mm Fibre Wall Socket - Dual Fiber

### Overview

The compact fiber wall socket is designed for residential and business applications and holds up to four fiber terminations. This wall box enables the installation of either a single Sirocco Blown Tube cable using up to a 2 fiber blown unit or 2 fiber ruggedized cables to be spliced to 2 SC pigtails (PC or APC). The pigtails would which connect to adapters at the base of the unit.

This box is has a transparent plastic cover on the front adapter side, providing substantial protection to the installed fibers. The unit can be quickly installed within an office, house or communication room environment.



### Features

- SC simplex and duplex adapter
- Ergonomic design
- Ability to allow cables to enter from rear or bottom of unit
- 30mm minimum bend radius
- Flip tray to allow access to pigtails and cable entry
- Removable cover for easy access
- Manufactured from fire resistant UL94-Vo rated material
- Standard white color
- Material: ABS + PC

### Applications

- FTTx networks
- Data communication networks
- Indoor applications

### Specifications

Height	86mm
Weight	86mm
Depth	25mm
Number Of Ports	1 or 2
Max. Splicing Capacity	2 Splices
Suitable For Adapter Type	SC simplex, SC Duplex
Number Of Cable Entry	2
Material	PC+ABS
Color	White
Operating Temperature	-40°C ~ +60°C
Complaint	RoHS, REACH/SvHC

# ODWMOP0404SC

## 4-Port FTTH Fiber Termination Box c/w 4pcs SC Adapters

### Overview

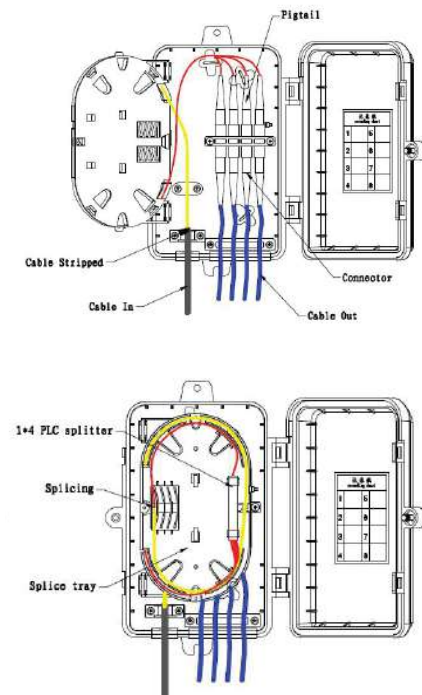
ODWMOP0404SC fiber optic termination box is suitable for FTTH, optical fiber splitting/splicing use. The enclosure is used with ABS plastic material, light weight, reasonable design for fiber arrangement, allows bend radius more than 30mm. It also suitable for 1pc 4-way splitter or 1pc 8-way splitter with LC connector (Steel tube type)



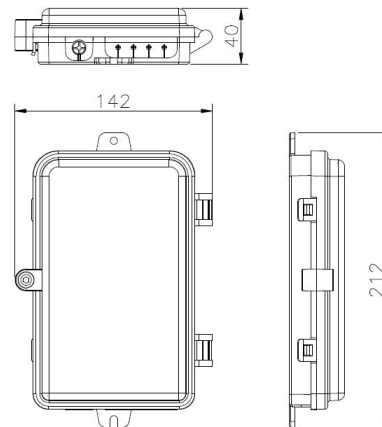
### Dimensions and Capabilities

Height	212mm
Weight	142mm
Depth	40mm
Operating temperature	-5°C +40°C
Relative humidity	≤90%(+30°C)
Atmospheric pressure	70Kpa - 106Kpa
Storage temperature	-40°C +70°C
Optical parameter	Insertion loss≤0.3dB; Excess loss:≤0.2B; Return loss≥50dB
IP Standard	IP66

### Fiber arranging drawings



### Dimensions



# ODWMOP0808SC

## 8-Port Fiber Termination Box c/w 8pcs SC Adapters

### Overview

This fiber optics distribution box offers spaces for splitters and up to 8 fusions, allocates 8 SC adapters and working under indoor or outdoor environments. It is a perfect cost-effective solution-provider in the FTTx networks.



### Features

- Mechanical seal: good sealing, can repeat use
- Protective level: IP55
- Laying: outdoor wall-mounting and pole-mounting
- FTTH, passive optical points wiring special terminal box
- The box body to scroll type structure, it has the function of guard against theft, large capacity function complete
- Can be installed 1:8 SC module type splitter



### Dimensions and Capabilities

Adapter Capacity	SC: 8 cores
Dimensions (W*H*D)	225mm*185mm*50mm
Number of Cable Entrance	1
Weight	1.0kg
Installation	Adapters, Pigtailed, Heat Shrink Tubes, Splice Tray, Optical Splitter Wall-Mounted or Pole-Mounting

### Operation Conditions

Temperature	-40°C ~ 60°C
Humidity	93% at 40°C
Air Pressure	62kPa – 101kPa

# ODWMOP1616SC

## 16-Port Fiber Termination Box c/w 16pcs SC Adapters

### Overview

This distribution box is used as a termination point for the feeder cable to connect with drop cable in FTTx communication network system. The fiber splicing, splitting, distribution can be done in this box, and meanwhile it provides solid protection and management for the FTTx network building.



### Features

- Total enclosed structure.
- Material: PC+ABS
- Wet-proof, water-proof, dust-proof, anti-aging
- Protection level up to IP65.
- Clamping for feeder cable and drop cable, fiber splicing, fixation, storage, distribution all in one.
- Suitable for SC and LC duplex adapter and pigtail
- Easy to operate
- Suitable for both outdoor and indoor use
- Protects and manages cable effectively



### Dimensions and Capabilities

Adapter Capacity	SC: 16 cores
Dimensions (W*H*D)	300mm*220mm*80mm
Number of Cable Entrance/Exit	1
Weight	1.0kg
Optional Accessories	Adapters, Pigtails, Heat Shrink Tubes, Splice Tray, Optical Splitter
Insertion loss	≤0.2dB
UPC return loss	≥50dB
APC return loss	≥60dB
Life of insertion & extraction	≥1000 times

### Operation Conditions

Temperature	-40°C ~ 85°C
Humidity	≥85% at 30°C
Air Pressure	70kPa – 106kPa

# ODWMOP2424SC

## 24-Port Fiber Termination Box c/w 24pcs SC Adapters

### Overview

This distribution box is used as a termination point for the feeder cable to connect with drop cable in FTTx communication network system. The fiber splicing, splitting, distribution can be done in this box, and meanwhile it provides solid protection and management for the FTTx network building.



### Features

- Total enclosed structure.
- Material: PC+ABS
- Wet-proof, water-proof, dust-proof, anti-aging
- Protection level up to IP65.
- Clamping for feeder cable and drop cable, fiber splicing, fixation, storage, distribution all in one.
- Suitable for SC and LC duplex adapter and pigtail
- Easy to operate
- Suitable for both outdoor and indoor use
- Protects and manages cable effectively



### Dimensions and Capabilities

Adapter Capacity	SC: 24 cores
Dimensions (W*H*D)	320mm*230mm*90mm
Number of Cable Entrance/Exit	1
Weight	1.0kg
Optional Accessories	Adapters, Pigtails, Heat Shrink Tubes, Splice Tray, Optical Splitter
Insertion loss	≤0.2dB
UPC return loss	≥50dB
APC return loss	≥60dB
Life of insertion & extraction	≥1000 times

### Operation Conditions

Temperature	-40°C ~ 85°C
Humidity	≥85% at 30°C
Air Pressure	70kPa – 106kPa

# ODWMOP2412LC

## 24-Port Fiber Termination Box C/W 12pcs LC Adapters

### Overview

FTTH outdoor drop cable is constructed with two single mode fiber. The cable is protected by a dielectric strength member made of fiberglass reinforced plastic (FRP), steel wire and a LSZH outer jacket.

Designed for outdoor installation the cable is well suited for connections between the dome closure and small dwelling unit / warehouse and independent villas.



### Features

- IP65 rating for external use
- Lockable door for added security
- Integrated cable tie points for securing incoming cable
- Up to 24 splice & LC connection points
- Removable splice tray for easy installation
- Accepts loose tube, distribution and pre-terminated cables
- Integrated bend radius protection
- Sealing glands for up to 24 existing + 2 incoming cables
- Removable door for ease of installation
- Supplied with 24 heatshrink splice protectors
- Supplied with transit tubing
- Supplied with wall fixing and tie weaps
- RoHS, REACH & SvHC compliant



### Applications

- Data center
- Premise installations
- Telecommunication
- Networks Ethernet
- Fiber channel, ATM, LAN, MAN
- WAN Data communication and telecommunication networks Indoor/outdoor applications.

### Specifications

Height	340mm
Weight	270mm
Depth	110mm
Net Weight	1.8kg
IP Rating	IP65
Suitable For Adapter Type	LC simplex
Number Of Ports	24
Cable Entry	2
Material	ABS
Color	Grey Ray 7305
Operating Temperature	-40°C ~ +60°C
Complaint	RoHS, REACH/SvHC

# ODWMOP4848SC

## 48-Port Fiber Termination Box c/w 48pcs SC Adapters

### Overview

This distribution box is used as a termination point for the feeder cable to connect with drop cable in FTTx communication network system. The fiber splicing, splitting, distribution can be done in this box, and meanwhile it provides solid protection and management for the FTTx network building.



### Features

- Total enclosed structure.
- Material: PC+ABS, wet-proof, water-proof, dust-proof, protection level up to IP55.
- Clamping for feeder cable and drop cable, fiber splicing, fixation, storage, distribution...etc all in one.
- Cable, pigtails, patch cords are running through own path without disturbing each other, cassette type SC adaptor installation, easy maintenance.
- Cabinet can be installed by the way of wall-mounted or poled-mounted, suitable for both indoor and outdoor uses.



### Dimensions and Capabilities

Max. Capacity	Splitter: 48 / Splice: 48
Dimensions (W*H*D)	410mm*360mm*120mm
Insertion loss	≤ 0.2 dB
UPC return loss	≥ 50 dB
APC return loss	≥ 60 dB
Life of insertion and extraction	>1000 times

### Operation Conditions

Temperature	-40°C ~ 85°C
Humidity	≥85% at 30°C
Air Pressure	70kPa – 106kPa

# Wall Mount Enclosure (Indoor)

## Fiber Wall Mount Metal Enclosure With Adapters

### Overview

Most widely used premium panels for datacentre applications. The light weight and easier fixtures enable installation ease and smooth terminations. This fiber wall mount metal enclosure is preloaded with snap-in fiber adapters.



### Features

- Light weight design
- The shell is high intensified & insulated material, thus having excellent mechanic performance
- Full accessories for convenient operations
- Reliable fiber lead, grounding and perfect fix up
- Reliable pigtail fixes up and perfect protection



### Specifications

Capacity	4-24 Ports
Adapter	Preloaded Adapters
Environment Temperature	-40°C ~ +80°C
Relative Humidity	≤85% (when temp. is below 30°C)
Atmosphere Pressure	70 ~ 106KPa
Insulated Resistance	≥2×10MΩ/500V (DC)
Intensity	≤15kv (DC) /1min no spark-over
Fiber Bending Radius	≥40mm

### Available Options

ODWMB0404SC	4-port wall mount metal enclosure c/w 4pcs SC adapters	SC, with 4pcs adapters
ODWMB0606SC	6-port wall mount metal enclosure c/w 6pcs SC adapters	SC, with 6pcs adapters
ODWMB0808SC	8-port wall mount metal enclosure c/w 8pcs SC adapters	SC, with 8pcs adapters
ODWMB1212SC	12-port wall mount metal enclosure c/w 12pcs SC adapters	SC, with 12pcs adapters
ODWMB2424SC	24-port wall mount metal enclosure c/w 24pcs SC adapters	SC, with 24pcs adapters
ODWMB1206LC	LC 12-port wall mount metal enclosure c/w 6pcs LC adapters	LC, with 6pcs adapters
ODWMB2412LC	LC 24-port wall mount metal enclosure c/w 12pcs LC adapters	LC, with 12pcs adapters



# ODOM Series

## Outdoor Metal Termination Box with Splicing Tray & Adapters

### Overview

ODOM-SC outdoor fiber optic termination box comes with splicing tray and fiber adapters. It is made of cold-rolled steel material with the surface treated with electrostatic spraying technique. And its ABS splicing tray can simultaneously splice 4, 6, 8, 12, 24 and more fibers. With IP65 standard, this outdoor fiber optic termination box is suitable for both indoor and outdoor wall mount or pole mount applications in FTTH, telecommunications, CATV and etc.



### Features

- Cold-rolled steel, reinforced structure, electrostatic spraying
- 2 fiber cable inlet/outlet ports, easily operation, compact structure, small size
- Splicing tray and fiber connector included
- SC or LC adaptor panels, total 48 ports
- Firmly reinforced structure, durable, fine appearance, with a lock, dust-proof, lifespan, 50 years
- Enclosure door can be open 180 °, free operation space
- Whole optic path design, Fiber bend radius>30mm
- Reasonable fiber path, clear sign
- Capacity is optional from 12 to 96 cores
- Entered cable spliced with pigtails, indoor covered wires connecting quick connector, finally connect through SC/FC adaptors.



### Specifications

Material	Cold-rolled Steel
Color	Grey
Environment Temperature	-25°C ~ +55°C
Relative Humidity	<85% (when temperature is below 30)
Atmospheric Pressure	70 ~ 106KPa
Insulation Resistance	≥2×104MΩ/500VDC
Voltage Resistance Strength	no arc-cover under 3KVDC/1min
Insertion Loss	PC>40dB, UPC>50dB, APC>60dB
Connection Life Span	>1000 times

### Available Options

ODOM1206SC	12-port outdoor metal termination box with splicing tray, 6pcs SC adapters	12-port, with 6pcs adapters
ODOM2412SC	24-port outdoor metal termination box with splicing tray, 12pcs SC adapters	24-port, with 12pcs adapters
ODOM4824SC	48-port outdoor metal termination box with splicing tray, 24pcs SC adapters	48-port, with 24pcs adapters
ODOM7248SC	72-port outdoor metal termination box with splicing tray, 48pcs SC adapters	72-port, with 48pcs adapters
ODOM9648SC	96-port outdoor metal termination box with splicing tray, 48pcs SC adapters	96-port, with 48pcs adapters

## ODOP-LC Series

### Fiber Outdoor PVC Box with Splicing Tray & LC Adapters

#### Overview

The ODOP inline enclosure is a horizontal type with a hinge on one side and an opening on the other side. Two insert plates, with fixing bolts, are used to fix and seal inline enclosure.

The ODOP inline enclosure has our advanced formula, company patent elastic seal fitting, our fitting is made of injection-molded, high quality elastic material via numerical control equipment. It is installed between the enclosure housing and the insert plates.



#### Specifications

	24 ~ 96F	144 ~ 192F
Number of inlet/outlet ports	6 ports (3 each side)	6 ports (3 each side)
Suitable cable jacket diameter	Ø8 ~ 16(mm)	Ø8 ~ 23(mm)
Maximum capacity (F)	Bunchy: 6 ~ 96 (Cores) Ribbon: Max. 144 (Cores)	Bunchy: 12 ~ 192 (Cores) Ribbon: Max.432 (Cores)
Single piece package size	460×220×120(mm)	460×220×120(mm)
Single piece package weight	2.9kg ~ 3.5kg	3.3kg ~ 3.6kg
Group package size	630×470×470(mm)	470×450×450(mm)
Group package quantity	10pcs/carton	6pcs/carton

#### Available Options

ODTray2412LC	24-port fiber optic inline enclosure, 1 splice tray & 12pcs LC adapters	24-Port, 1 Tray, 12 LC Adapters
ODTray4824LC	48-port fiber optic inline enclosure, 2 splice trays & 24pcs LC adapters	48-Port, 2 Trays, 24 LC Adapters
ODTray7236LC	72-port fiber optic inline enclosure, 3 splice trays & 36pcs LC adapters	72-Port, 3 Trays, 36 LC Adapters
ODTray9648LC	96-port fiber optic inline enclosure, 4 splice trays & 48pcs LC adapters	96-Port, 4 Trays, 48 LC Adapters

# ODTray Series

## Fiber Outdoor Termination Box With Splicing Tray

### Overview

The ODTray series inline enclosure is a horizontal type with a hinge on one side and an opening on the other side. Two insert plates, with fixing bolts, are used to fix and seal inline enclosure.

The ODTray series inline enclosure has our advanced formula, company patent elastic seal fitting, our fitting is made of injection-molded, high quality elastic material via numerical control equipment. It is installed between the enclosure housing and the insert plates.



### Specifications

	24 ~ 96F	144 ~ 192F
Number of inlet/outlet ports	6 ports (3 each side)	6 ports (3 each side)
Suitable cable jacket diameter	Ø8 ~ 16(mm)	Ø8 ~ 23(mm)
Maximum capacity (F)	Bunchy: 6 ~ 96 (Cores) Ribbon: Max. 144 (Cores)	Bunchy: 12 ~ 192 (Cores) Ribbon: Max.432 (Cores)
Single piece package size	460×220×120(mm)	460×220×120(mm)
Single piece package weight	2.9kg ~ 3.5kg	3.3kg ~ 3.6kg
Group package size	630×470×470(mm)	470×450×450(mm)
Group package quantity	10pcs/carton	6pcs/carton

### Available Options

ODTray2401	24-port fiber optic inline enclosure with 1 splic tray	24-Port, 1 Splice Tray
ODTray4802	48-port fiber optic inline enclosure with 2 splic trays	48-Port, 2 Splice Trays
ODTray7203	72-port fiber optic inline enclosure with 3 splic trays	72-Port, 3 Splice Trays
ODTray9604	96-port fiber optic inline enclosure with 4 splic trays	96-Port, 4 Splice Trays

# Rack Mount Patch Panel

## Fiber Rack Mount Patch Panel with Adapters

### Overview

Most widely used premium panels for datacentre applications. The light weight and easier fixtures enable installation ease and smooth terminations. This fiber rack mount metal enclosure is preloaded with snap-in fiber adapters.



### Features

- Light weight design
- The shell is high intensified & insulated material, thus having excellent mechanic performance
- Full accessories for convenient operations
- Reliable fiber lead, grounding and perfect fix up
- Reliable pigtail fixes up and perfect protection



### Specifications

Capacity	12-24 Ports
Adapter	Preloaded Adapters
Environment Temperature	-40°C ~ +80°C
Relative Humidity	≤85% (30°C)
Atmosphere Pressure	70 ~ 106KPa
Insulated Resistance	≥2×10MΩ/500V (DC)
Intensity	≤15kv (DC) /1min no spark-over
Fiber Bending Radius	≥40mm
Dimensions	1U x 430mm x 210mm
Weight	≤2kg (Empty)
Surface Finish	Special powder coating

### Available Options

ODRMB1212SC	SC 12-port rack mount metal enclosure c/w 12pcs SC adapters	SC, with 12pcs adapters
ODRMB2424SC	SC 24-port rack mount metal enclosure c/w 24pcs SC adapters	SC, with 24pcs adapters
ODRMB2406LC	LC 24-port rack mount metal enclosure c/w 6pcs LC adapters	LC, with 6pcs adapters
ODRMB2412LC	LC 24-port rack mount metal enclosure c/w 12pcs LC adapters	LC, with 12pcs adapters

# ODMFPP

## Multi-Function Patch Panel with Changeable Front Plate

### Overview

Multi-Function fiber patch panel is constructed by flexible design to achieve diversified applications, like in-filed fiber termination, pre-termination fiber cassette and RJ45 keystone terminaton. Provides professional cable management and ease of fiber termination with a cost effective mechanical pull-out mechanism.

### Features

- 1U and 2U versions (4 - 48 ports capacity)
- Easy to maintain and extend
- All known connector types such as SC, FC, ST, LC are possible to add into one patch panel

### Applications

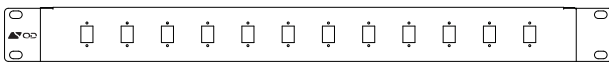
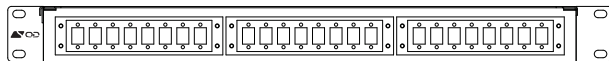
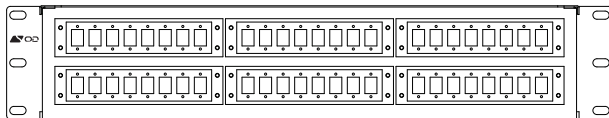
- FTTx applications
- Datacenter LAN & WAN projects



1U Patch Panel



2U Patch Panel



### Available Options

ODRMB1UEM	1U empty fiber patch panel (without front panel)	1U Panel, Empty
ODRMB2UEM	2U empty fiber patch panel (without front panel)	2U Panel, Empty
OD4PSCPanel	4-port fiber SC front panel	4-Port, SC
OD6PSCPanel	6-port fiber SC front panel	6-Port, SC
OD8PSCPanel	8-port fiber SC front panel	8-Port, SC
OD Blank Panel	Blank panel	

# Drawer Patch Panel

## Fiber Drawer Rack Mount Patch Panel with Adapters

### Overview

Most widely used premium panels for datacentre applications. the light weight and easier figures enable installation ease and smooth terminations. This fiber rack mount metal enclosure is preloaded with snap-in fiber adapters.



### Features

- Light weight design
- The shell is high intensified & insulated material, thus having excellent mechanic performance
- Slidable, easy for installation
- Full accessories for convenient operations
- Reliable fiber lead, grounding and perfect fix up
- Reliable pigtail fixes up and perfect protection



### Specifications

Capacity	12-24 Ports
Adapter	Preloaded Adapters
Environment Temperature	-40°C ~ +80°C
Relative Humidity	≤85% (30°C)
Atmosphere Pressure	70 ~ 106KPa
Insulated Resistance	≥2×10MQ/500V (DC)
Intensity	≤15kv (DC) /1min no spark-over
Fiber Bending Radius	≥40mm
Dimensions	1U x 430mm x 210mm
Weight	≤2kg (Empty)
Surface Finish	Special powder coating

### Available Options

ODDRM2424SC	SC 24-port drawer rack mount metal enclosure c/w 24pcs SC adapters	SC, with 24pcs adapters
ODDRM2414LC	LC 24-port drawer rack mount metal enclosure c/w 14pcs LC adapters	LC, with 14pcs adapters

# OD MTP/MPO Patch Panel

## Fiber Integrated Solution

### Overview

This High Density fiber patch panels are designed to accommodate high density applications in Data Centers and Telecommunication environments. This factory pre-populated and tested fiber patch panel saves on-site installation time and increase reliability, factory pre-loaded with Qty. 3 12/24/36 fiber LC Duplex OD MTP/MPO Cassettes or 12/24 OD-K Adapter Plates for quick implementations in 10/100G networks.



### Features

- UP to 108 Fiber LC Ports in 1U
- Flexibility to Mix Adapter Plates with Cassettes in Patch Panel
- Available in SM, OM1, OM2, OM3 and OM4 fiber grades
- Easily Accessible MPO/MTP Ports for Connection to Trunk Cable
- Factory terminated and tested
- MPO/MTP components feature superior optical and mechanical properties



OD-K Plate



ODK-J Cassette

### Specifications

Height / Width	1U (485mm*294mm*44mm)		
Quantity of Cassette/Plate	OD-J Cassette x 3	OD-K Plate x 3	Max Capacity 108
Operating Temperature	-20°C ~ +60°C		
Storage Temperature	-40°C ~ +70°C		
Humidity	90% at 30°C		
Air Pressure	70kPa – 106kPa		
<b>OD-J Cassette Technical Specifications</b>			
	<b>OD-J-1</b>	<b>OD-J-2</b>	<b>OD-J-3</b>
Total Fiber Count	12	24	36
Front Adapter Type	LC Duplex	LC Duplex	LC Duplex
Front Port Count	6	12	18
Rear Adapter Type	MTP/MPO	MTP/MPO	MTP/MPO
Rear Port Count	1	2	3
<b>OD-K Plate Technical Specifications</b>			
	<b>OD-K-1</b>	<b>OD-K-2</b>	
Total Fiber Count	12	24	
Front Adapter Type	LC Duplex	LC Duplex	
Front Port Count	6	12	



# 02

## Network Infrastructure

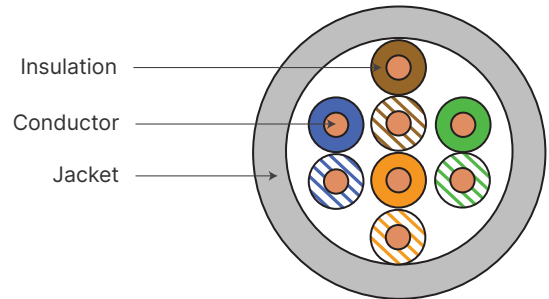


# OD Cat.5e Series CAT.5E

## 24AWG CAT5E UTP Network Cables

### Overview

Each Cat5E UTP cable is performance optimized with 4 balanced twisted pairs on 24 AWG insulated solid bare copper conductors. OD Cat5E UTP cables are constructed to create a round and flexible cable for easy pulling and stripping of the PVC jacket.



### Applications

- Horizontal Wiring in LAN
- IEEE 802.3: 10/100/1000 Base-T
- IEEE 802.5 16MB
- Power Over Ethernet PoE/PoE+
- IEEE 802.3af and IEEE 802.3at

### Standards

- ANSI / TIA 568-C.2
- ISO / IEC 11801 2nd Ed
- IEC 61156-5 2nd Ed
- EN 50173; EN 50288-3-1:2013

### Machanical Characteristics

Minimum Bending Radius	4 x Diameter
Maximum Tensile Load	Nom. 100N
Maximum Tensile Load, Installed	No Stretch
Temperature During Operation	-20°C ~ +60°C
Temperature During Installation	0°C ~ +50°C

### Physical Characteristics

Conductor	Solid Bare Copper
AWG	24
Conductor Diameter	0.5 (± 0.0005mm)
Insulation	PVC, LSZH
Insulation Diameter	Ø0.9mm
Jacket	PVC, LSZH
Jacket Cover	PVC, LSZH: Grey
Outer Diameter	4.8 (± 0.3mm)
Weight	28kg /km

### Electrical Characteristics

Characteristic impedance (1-130 MHz)	(100 ± 15) Ω
Mean Characteristic impedance 100 Mhz	(100 ± 5) Ω
DC-loop resistance	Nom. 170 Ω /km
Resistance unbalance	≤ 2 %
Propagation Delay	≤ 800 ns /km
Skew, maximum at 100MHz	≤ 200 ns /km
Mutual capacitance	Nom. 47 pF/m
Capacitance unbalance (pair to ground)	≤ 300 pF /km
Nominal velocity of propagation (NVP)	Nom. 69%

### Available Options

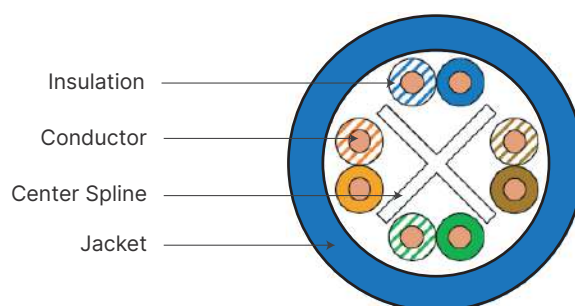
OD5024	OD 24AWG CAT5E UTP network cable, PVC	UTP, PVC
OD5024L	OD 24AWG CAT5E UTP network cable, LSZH	UTP, LSZH

# OD Cat.6 Series CAT.6

## 23AWG CAT6 UTP Network Cables

### Overview

Each Cat6 UTP cable is performance optimized with 4 balanced twisted pairs on 23 AWG insulated solid bare copper conductors. Each pair is separated by a center spline. OD Cat6 UTP cables are constructed to create a round and flexible cable for easy pulling and stripping of the PVC jacket.



### Applications

- Horizontal Wiring in LAN
- IEEE 802.3: 10/100/1000 Base-T  
IEEE 802.5 16MB
- Power Over Ethernet PoE/PoE+
- IEEE 802.3af and IEEE 802.3at

### Standards

- ANSI/TIA-568.2-D
- ISO / IEC 11801 2nd Ed
- IEC 61156-5 2nd Ed
- EN 50173; EN 50288-3-1:2013

### Machanical Characteristics

Minimum Bending Radius	4 x Diameter
Maximum Bending Radius	4 x Diameter
Temperature During Operation	-30°C ~ +50°C (LSZH/PE)
Temperature During Operation	-20°C ~ +50°C (PVC)
Temperature During Installation	0°C ~ +50°C

### Physical Characteristics

Conductor	Solid Bare Copper
AWG	23
Conductor Diameter	0.56 (± 0.0005mm)
Insulation	PVC, LSZH
Insulation Diameter	Ø0.98mm
Jacket	PVC, LSZH
Jacket Cover	PVC, LSZH: Blue
Outer Diameter	6.3 (± 0.3mm)
Weight	40kg /km

### Electrical Characteristics

Characteristic impedance (1-130 MHz)	(100 ± 15) Ω
Mean Characteristic impedance 100 Mhz	(100 ± 5) Ω
DC-loop resistance	Nom. 150 Ω /km
Resistance unbalance	≤ 2 %
Propagation Delay	≤ 800 ns /km
Skew, maximum at 100MHz	≤ 400 ns /km
Mutual capacitance	Nom. 50 pF /km
Capacitance unbalance, maximum	≤ 1600 pF /km
Nominal velocity of propagation (NVP)	≤ 1600 pF /km
Attenuation @ 250Mhz	Mon. 69%

### Available Options

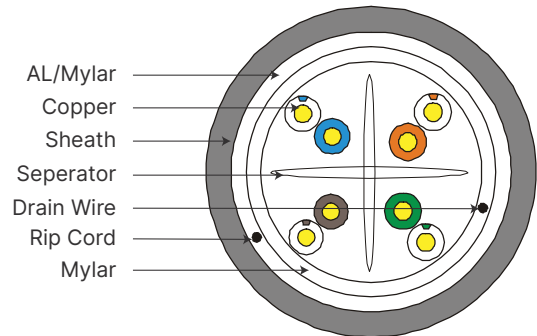
OD6423	OD 23AWG CAT6 UTP network cable, PVC	UTP, PVC
OD6423RD	OD 23AWG CAT6 UTP network cable, PVC Red	UTP, PVC Red
OD6423GN	OD 23AWG CAT6 UTP network cable, PVC Green	UTP, PVC Green
OD6423YL	OD 23AWG CAT6 UTP network cable, PVC Yellow	UTP, PVC Yellow
OD6423L	OD 23AWG CAT6 UTP network cable, LSZH	UTP, LSZH

# OD6F23 CAT.6

## 23AWG CAT6 F/UTP PVC Network Cable

### Applications

- Horizontal Wiring in LAN
- IEEE 802.3: 10/100/1000 Base-T
- IEEE 802.5 16MB
- Power Over Ethernet PoE/PoE+
- IEEE 802.3af and IEEE 802.3at



### Physical Characteristics

Conductor	
Material	Solid Bare Copper
Conductor Diameter	0.565mm (± 0.012)
Insulation	
Material	PVC
Overall Diameter	1.12mm
Screening Material	Mylar+ AL/Mylar
Sheath	
Thickness	0.60mm (±0.05)
External O.D.	7.4mm (±0.5)
Surface	Clean, Frap, Satiation
Material	PVC(complies RoHS)
Color	TBD
Surface Printing	
Letter height	3.0mm (±0.3)
Color	Black
Print error & Space	≤±0.5%, 1m
Color	
1. White Blue/Blue	2. White Orange/Orange
3. White Green/Green	4. White Brown/Brown
Packing	
Wooden Tray Dimension	According to the requires
Packing Length	305m (±1.5)
Rip Cord	Yes; Drain wire: Yes
Sheath Physical Properties	
Before Aging Tensile Strength (Mpa)	≥13.5
Elongation (%)	≥155
Aging Period (°C×hrs)	100°C×24h×7d
After Aging Tensile Strength (Mpa)	≥12.5
Elongation (%)	≥125
Cold bend (-20±2°C×4h) 8×Cable O.D.	No visible cracks
Electrical Characteristics (20°C)	
1.0-250.0MHz Impedance(Ω)	100±15
250.0-500.0MHz Impedance(Ω)	100±22
1.0-250.0MHz Delay Skew(ns/100m)	≤45
DC Resistance (Ω/100m) max	9.38
DC Conductor Resistance Unbalance (%) max	5.0

### Standards

- ISO/IEC11801
- ANSI/TIA-568-C.2
- RoHS

### Technical Performance (100m)

Frequency (MHz)	Return Loss (≥dB)	Attenuation 20°C (≤dB)	NEXT (≥dB)	DELAY (≤ns)
1.00	20.0	-	74.3	570.0
4.00	23.0	2.03	65.3	552.0
8.00	24.5	3.78	60.8	546.7
10.00	25.0	5.32	59.3	545.4
16.00	25.0	5.95	56.2	543.0
20.00	25.0	7.55	54.8	542.1
25.00	24.3	8.47	53.3	541.2
31.25	23.6	9.51	51.9	540.4
62.25	21.5	10.67	47.7	538.6
100	20.1	15.38	44.3	537.6
200	18.0	19.80	39.8	536.5
250	17.3	32.85	38.3	535.3

Frequency (MHz)	PSNEXT (≥dB)	ELNEXT (≥dB)	PSELFEXT (≥dB)
1.00	72.3	67.8	64.8
4.00	63.3	55.8	52.8
8.00	48.8	49.7	46.7
10.00	57.3	47.8	44.8
16.00	54.2	43.7	40.7
20.00	52.8	41.8	38.8
25.00	51.3	39.8	36.8
31.25	49.9	37.9	34.9
62.25	45.4	31.9	28.9
100	42.3	27.8	24.9
200	37.8	21.8	18.8
250	36.3	19.8	16.8

# OD6F23L CAT.6

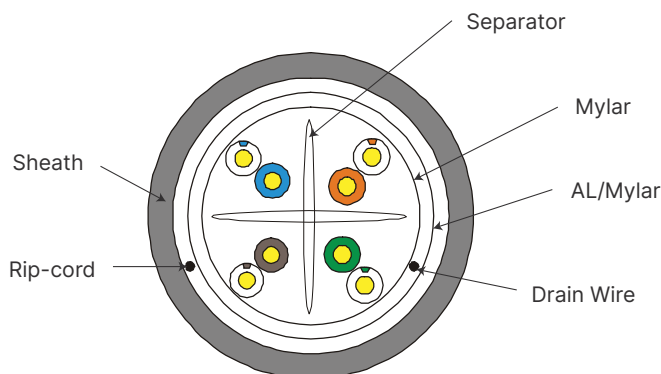
## 23AWG CAT6 F/UTP LSZH Network Cable

### Applications

- Horizontal Wiring in LAN
- IEEE 802.3: 10/100/1000 Base-T
- IEEE 802.5 16MB
- Power Over Ethernet PoE/PoE+
- IEEE 802.3af and IEEE 802.3at

### Physical Characteristics

Conductor	
Material	Solid Bare Copper
Conductor Diameter	0.565mm (± 0.005)
Insulation	
Material	HDPE
Overall Diameter	0.98mm (± 0.05)
Screening Material	Mylar+AL/Mylar
Sheath	
Thickness	0.60mm (±0.05)
External O.D.	7.4mm (±0.5)
Surface	Clean, Frap, Satiation
Material	LSZH(complies RoHS)
Color	TBD
Surface Printing	
Letter height	3.0mm (±0.3)
Color	Black
Print error & Space	≤±0.5%, 1m
Color	
1. White Blue/Blue	2. White Orange/Orange
3. White Green/Green	4. White Brown/Brown
Packing	
Wooden Tray Dimension	According to the requires
Packing Length	305m (±1.5)
Rip Cord	Yes; Drain wire: Yes
Sheath Physical Properties	
Before Aging Tensile Strength (Mpa)	≥10.0
Elongation (%)	≥125
Aging Period (°C×hrs)	100°C×24h×7d
After Aging Tensile Strength (Mpa)	≥8.0
Elongation (%)	≥100
Cold bend (-20±2°C×4h) 8×Cable O.D.	No visible cracks
Electrical Characteristics (20°C)	
1.0-250.0MHz Impedance(Ω)	100±15
250.0-500.0MHz Impedance(Ω)	100±22
1.0-250.0MHz Delay Skew (ns/100m)	≤45
DC Resistance (Ω/100m) max	9.38
DC Conductor Resistance	
Unbalance (%) max	5.0



### Standards

- ISO/IEC11801
- ANSI/TIA-568-C.2

### Technical Performance (100m)

Frequency (MHz)	Return Loss (≥dB)	Attenuation 20°C (≤dB)	NEXT (≥dB)	DELAY (≤ns)
1.00	20.0	2.10	74.3	570.0
4.00	23.0	3.80	65.3	552.0
8.00	24.5	5.3	60.8	546.7
10.00	25.0	5.9	59.3	545.4
16.00	25.0	7.5	56.2	543.0
20.00	25.0	8.4	54.8	542.1
25.00	24.3	9.4	53.3	541.2
31.25	23.6	10.5	51.9	540.4
62.25	21.5	15.0	47.7	538.6
100	20.1	19.1	44.3	537.6
200	18.0	27.6	39.8	536.5
250	17.3	31.1	38.3	535.3
300	16.8	34.3	37.1	536.1
500	15.2	45.3	33.8	535.6

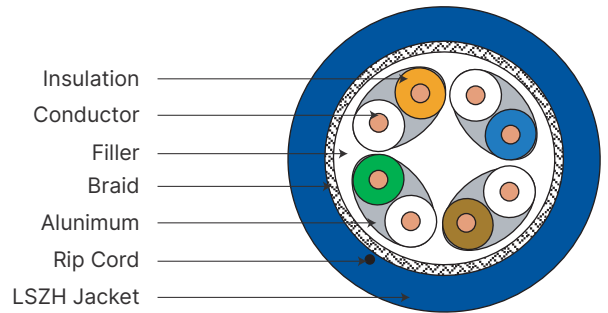
Frequency (MHz)	PSNEXT (≥dB)	ELNEXT (≥dB)	PSELFEXT (≥dB)
1.00	72.3	67.8	64.8
4.00	63.3	55.8	52.8
8.00	48.8	49.7	46.7
10.00	57.3	47.8	44.8
16.00	54.2	43.7	40.7
20.00	52.8	41.8	38.8
25.00	51.3	39.8	36.8
31.25	49.9	37.9	34.9
62.25	45.4	31.9	28.9
100	42.3	27.8	24.9
200	37.8	21.8	18.8
250	36.3	19.8	16.8
300	35.1	18.3	15.3
500	31.8	13.8	10.8

# OD6S23L CAT.6

## 23AWG CAT6 S/FTP LSZH Network Cable

### Applications

- Horizontal Wiring in LAN
- IEEE 802.3: 10/100/1000 Base-T
- IEEE 802.5 16MB
- Power Over Ethernet PoE/PoE+
- IEEE 802.3af and IEEE 802.3at



### Physical Characteristics

Conductor	
Size	(23AWG*1P+AL)*4
Material	Solid Bare Copper
Conductor Diameter	AS11 / 0.57mm (± 0.012)
Sectional Area	0.25mm
Insulation	
Average Thickness	0.32mm
Minimum Thickness	0.26mm
Material	FMPE(RoHS)
Overall Diameter	1.32mm (± 0.05)
Color	
1. White Blue/Blue	2. White Orange/Orange
3. White Green/Green	4. White Brown/Brown
Assembly	
Aluminum	Each pair is wrapped with aluminum foil
Braid	TS16/4/0.10mm (±0.008)
Rip Cord	630D Rip Cord x 1pcs
Jacket	
Average Thickness	0.55mm
Minimum Thickness	0.44mm
Overall Diameter	7.5mm (±0.5)
Material	LSZH(RoHS)
Color	Blue
Electrical Capability	
1.0~250MHZ Charac. Impedance	100Ω (±15)
1.0~250MHZ Delay Skew	≤45ns/100m
Conductor Resistance	9.38Ω/100m2°C
Insulation Resistance	5000Ω/100m2°C
Dielectric Test	1000AC V/min
Mutual Capacitance	5.6nF/100m
Tensile Strength	110N
Flame Test	FT2

### Standards

- TIA/EIA 568C.2
- RoHS

### Technical Performance (100m)

Frequency (MHz)	Return Loss (≥dB)	Attenuation 20°C (≤dB)	NEXT (≥dB)
1.00	19.1	3	65.0
4.00	21.0	3.5	64.1
8.00	21.0	5.	59.4
10.00	21.0	5.5	57.8
16.00	20.0	7.0	54.6
20.00	19.5	7.9	53.1
25.00	19.5	8.9	51.5
31.25	18.5	10.0	50.0
62.25	16.0	14.4	45.1
100	14.0	18.6	41.8
200	11.0	27.4	36.9
250	10.0	31.1	35.3

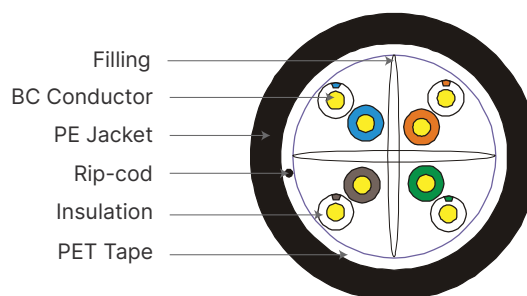
Frequency (MHz)	PSNEXT (≥dB)	ELNEXT (≥dB)	PSELFEXT (≥dB)	DELAY (≤ns)
1.00	62.0	64.2	61.2	498
4.00	61.8	52.1	49.1	498
8.00	57.0	46.1	43.1	498
10.00	55.5	44.2	41.2	498
16.00	52.2	40.1	37.1	498
20.00	50.7	38.2	35.2	498
25.00	49.1	36.2	33.2	498
31.25	47.5	34.3	31.3	498
62.25	42.7	28.3	25.3	498
100	39.3	24.2	21.3	498
200	34.3	18.2	15.2	498
250	32.7	16.2	13.2	498

# OD6823PE CAT.6

## 23AWG CAT6 UTP Outdoor PE Network Cable

### Applications

- Horizontal Wiring in LAN
- IEEE 802.3: 10/100/1000 Base-T
- IEEE 802.5 16MB
- Power Over Ethernet PoE/PoE+
- IEEE 802.3af and IEEE 802.3at



### Physical Characteristics

Conductor	
Material	Solid Bare Copper
Conductor Diameter	0.550mm (± 0.005)
Insulation	
Material	HDPE
Overall Diameter	0.95mm (± 0.05)
Sheath	
Material	PET Tape
Thickness	0.55mm (±0.05)
External O.D.	6.3mm (±0.5)
Surface	Clean, Frap, Satiation
Material	LDPE(complies RoHS)
Color	Black
Surface Printing	
Letter height	3.0mm (±0.3)
Color	White
Print error & Space	≤±0.5%, 1m
Color	
A. White Blue/Blue	B. White Orange/Orange
C. White Green/Green	D. White Brown/Brown
Packing	
Carton Dimension	According to the requires
Packing Length	
Packing Length	305m (±1.5)
Rip Cord	
Rip Cord	Yes; Drain wire: Yes
Outer Jacket Physical Properties	
Before Aging Tensile Strength (Mpa)	≥10.0
Elongation (%)	≥350
Aging Period (°C×hrs)	100°C×24h×7d
After Aging Elongation (%)	≥300
Cold bend (-20±2°C×4h) 8×Cable O.D.	No visible cracks
Electrical Characteristics (20°C)	
1.0-250.0MHz Impedance(Ω)	100±15
1.0-250.0MHz Delay Skew (ns/100m)	≤45
DC Resistance (Ω/100m) max	9.38
DC Conductor Resistance Unbalance (%) max	5.0

### Standards

- ISO/IEC11801
- ANSI/TIA-568-C.2

### Technical Performance (100m)

Frequency (MHz)	Return Loss (≥dB)	Attenuation 20°C (≤dB)	NEXT (≥dB)	DELAY (≤ns)
1.00	20.0	2.03	74.3	570.0
4.00	23.0	3.78	65.3	552.0
8.00	24.5	5.32	60.8	546.7
10.00	25.0	5.95	59.3	545.4
16.00	25.0	7.55	56.2	543.0
20.00	25.0	8.47	54.8	542.1
25.00	24.3	9.51	53.3	541.2
31.25	23.6	10.67	51.9	540.4
62.25	21.5	15.38	47.7	538.6
100	20.1	19.80	44.3	537.6
200	18.0	28.98	39.8	536.5
250	17.3	32.85	38.3	536.3

Frequency (MHz)	PSNEXT (≥dB)	ELNEXT (≥dB)	PSELFEXT (≥dB)
1.00	72.3	67.8	64.8
4.00	63.3	55.8	52.8
8.00	48.8	49.7	46.7
10.00	57.3	47.8	44.8
16.00	54.2	43.7	40.7
20.00	52.8	41.8	38.8
25.00	51.3	39.8	36.8
31.25	49.9	37.9	34.9
62.25	45.4	31.9	28.9
100	42.3	27.8	24.8
200	37.8	21.8	18.8
250	36.3	19.8	16.8

# OD6023J CAT.6

## CAT6 23AWG Jelly-filled Outdoor UTP Network Cable

### Description

- Rated temperature of 75°C
- Product Standard Certification: UL file E222804
- Flammability Tested

### Applications

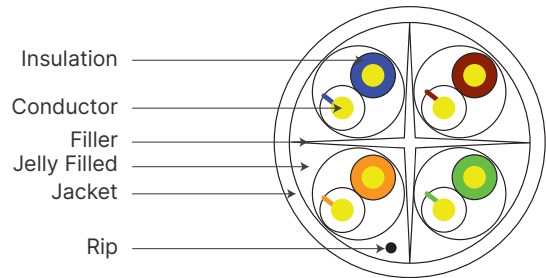
- Horizontal Wiring in LAN
- IEEE 802.3: 10/100/1000 Base-T
- IEEE 802.5 16MB
- Power Over Ethernet PoE/PoE+
- IEEE 802.3af and IEEE 802.3at

### Standards

- ANSI / TIA 568-C.2
- ISO / IEC 11801 2nd Ed
- IEC 61156-5 2nd Ed
- EN 50173; EN 50288-3-1:2013

### Physical Characteristics

<b>Conductor</b>	Solid Bare Copper
<b>AWG</b>	23
<b>Conductor Diameter</b>	0.57 (± 0.0005mm)
<b>Insulation</b>	PE
<b>Filter</b>	PE
<b>Jelly-filled</b>	Yes
<b>Jacket</b>	PE
<b>Thickness</b>	0.55 (± 0.05mm)
<b>Outer Diameter</b>	6.3 (± 0.05mm)
<b>Rip Cord</b>	Per request



### Performance

Frequency (MHz)	Return Loss (dB)	Attenuation (dB/100m)	NEXT (dB)	ACR (dB)
1.00	20.00	1.84	74.30	
4.00	23.01	3.69	65.27	
8.00	24.52	5.26	60.75	
10.00	25.00	5.89	59.30	
16.00	25.00	7.51	56.24	
20.00	25.00	8.43	54.78	
25.00	24.32	9.47	53.33	
31.25	23.64	10.64	51.88	
62.25	21.54	15.36	47.36	
100.00	20.11	19.78	44.30	
200.00	18.00	28.97	39.78	
250.00	17.32	32.84	38.33	

Frequency (MHz)	PSNEXT (dB)	ELNEXT (dB/100m)	PSELFEXT (dB)	DELAY (dB)
1.00	72.30	68.00	65.00	570.00
4.00	63.27	55.96	52.96	552.00
8.00	58.75	49.94	46.94	546.73
10.00	57.30	48.00	45.00	545.38
16.00	54.24	43.92	40.92	543.00
20.00	52.78	41.98	38.98	542.05
25.00	51.33	40.04	37.04	541.20
31.25	49.88	38.10	35.10	540.44
62.25	45.36	32.08	29.08	538.55
100.00	42.30	28.00	25.00	537.60
200.00	37.78	21.98	18.98	536.50
250.00	36.33	20.04	17.04	536.28

# OD6623B CAT.6

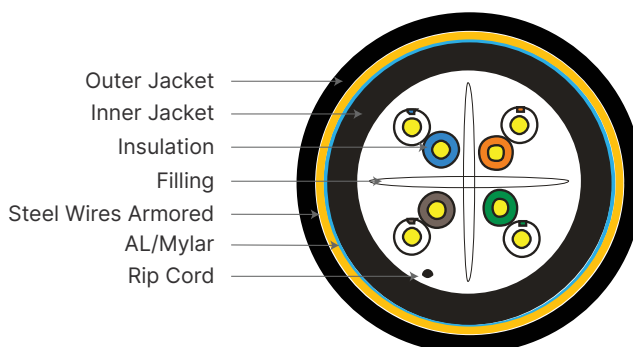
## 23AWG CAT6 F/UTP SWB Armored Outdoor PE SWB Network Cable

### Applications

- Horizontal Wiring in LAN
- IEEE 802.3: 10/100/1000 Base-T
- IEEE 802.5 16MB
- Power Over Ethernet PoE/PoE+
- IEEE 802.3af and IEEE 802.3at

### Physical Characteristics

Conductor	
Material	Solid Bare Copper
Conductor Diameter	0.565mm (± 0.005)
Insulation	
Material	HDPE
Overall Diameter	1.02mm (± 0.05)
Inner Sheath	
Material	LSZH
Thickness	8.0mm (±0.2)
Color	TBD
Armored Material	Steel Wire, Coverage 65%
Outer Sheath	
External O.D.	10.0mm (±1)
Thickness	1.1mm (±0.4)
Surface	Clean, Frap, Satiation
Material	LDPE(complies RoHS)
Surface Printing	
Letter height	3.0mm (±0.3)
Color	White
Print error & Space	≤±0.5%, 1m
Color	
1. White Blue/Blue	2. White Orange/Orange
3. White Green/Green	4. White Brown/Brown
Packing Length	305m (±1.5)
Rip Cord	Yes; Drain wire: Yes
Sheath Physical Properties	
Before Aging Tensile Strength (Mpa)	≥10.0
Elongation (%)	≥350
Aging Period (°C×hrs)	100°C×24h×7d
After Aging Tensile Strength (Mpa)	≥300
Elongation (%)	
Cold bend (-20±2°C×4h) 8×Cable O.D.	No visible cracks
Electrical Characteristics (20°C)	
1.0-250.0MHz Impedance(Ω)	100±15
1.0-250.0MHz Delay Skew (ns/100m)	≤45
DC Resistance (Ω/100m) max	9.5
DC Conductor Resistance Unbalance (%) max	5.0



### Standards

- ISO/IEC11801
- TIA-568-C.2
- RoHS

### Technical Performance (100m)

Frequency (MHz)	Return Loss (≥dB)	Attenuation 20°C (≤dB)	NEXT (≥dB)	DELAY (≤ns)
1.00	19.1	3.0	65.0	ns
4.00	21.0	3.5	64.1	
8.00	21.0	5.0	59.4	
10.00	21.0	5.5	57.8	
16.00	20.0	7.0	54.6	498
20.00	19.5	7.9	53.1	
25.00	19.0	8.9	51.5	
31.25	18.5	10.0	50.0	
62.25	16.0	14.4	45.1	
100	14.0	18.6	41.8	
200	11.0	27.4	36.9	
250	10.0	31.1	35.3	

Frequency (MHz)	PSNEXT (≥dB)	ELNEXT (≥dB)	PSELFEXT (≥dB)
1.00	62.0	64.2	61.2
4.00	61.8	52.1	49.1
8.00	57.0	46.1	43.1
10.00	55.5	44.2	41.2
16.00	52.2	40.1	37.1
20.00	50.7	38.2	35.2
25.00	49.1	36.2	33.2
31.25	47.5	34.3	31.2
62.25	42.7	28.3	25.3
100	39.3	24.2	21.2
200	34.3	18.2	15.2
250	32.7	16.2	13.2



# OD6A23L CAT.6A

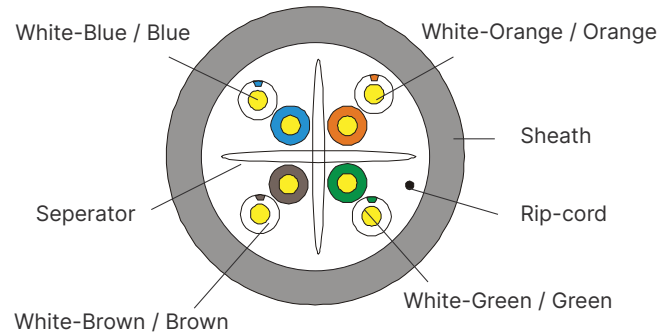
## 23AWG CAT6A U/UTP LSZH Network Cable

### Applications

- Horizontal Wiring in LAN
- IEEE 802.3: 10/100/1000 Base-T
- IEEE 802.5 16MB
- Power Over Ethernet PoE/PoE+
- IEEE 802.3af, IEEE 802.3at and IEEE 802.3an

### Physical Characteristics

Conductor	
Material	Solid Bare Copper
Conductor Diameter	0.565mm (± 0.005)
Insulation	
Material	HDPE
Overall Diameter	0.98mm (± 0.05)
Thickness	0.70mm (±0.05)
Sheath	
External O.D.	7.1mm (±0.4)
Surface	Clean, Frap, Satiation
Material	LSZH(complies RoHS)
Color	TBD
Surface Printing	
Letter height	3.0mm (±0.3)
Color	Black
Print error & Space	≤±0.5%, 1m
Color	
1. White Blue/Blue	2. White Orange/Orange
3. White Green/Green	4. White Brown/Brown
Packing	
Wooden Tray Dimension	According to the requires
Packing Length	305m (±1.5)
Rip Cord	Yes; Drain wire: No
Sheath Physical Properties	
Before Aging Tensile Strength (Mpa)	≥10.0
Elongation (%)	≥125
Aging Period (°C×hrs)	100°C×24h×7d
After Aging Tensile Strength (Mpa)	≥8.0
Elongation (%)	≥100
Cold bend (-20±2°C×4h) 8×Cable O.D.	No visible cracks
Electrical Characteristics (20°C)	
1.0-250.0MHz Impedance(Ω)	100±15
250.0-500.0MHz Impedance(Ω)	100±22
1.0-250.0MHz Delay Skew (ns/100m)	≤45
DC Resistance (Ω/100m) max	9.38
DC Conductor Resistance Unbalance (%) max	5.0



### Standards

- ISO/IEC11801
- ANSI/TIA-568-C.2
- RoHS

### Technical Performance (100m)

Frequency (MHz)	Return Loss (≥dB)	Attenuation 20°C (≤dB)	NEXT (≥dB)	DELAY (≤ns)
1.00	20.0	2.10	74.3	570.0
4.00	23.0	3.80	65.3	552.0
8.00	24.5	5.3	60.8	546.7
10.00	25.0	5.9	59.3	545.4
16.00	25.0	7.5	56.2	543.0
20.00	25.0	8.4	54.8	542.1
25.00	24.3	9.4	53.3	541.2
31.25	23.6	10.5	51.9	540.4
62.25	21.5	15.0	47.7	538.6
100	20.1	19.1	44.3	537.6
200	18.0	27.6	39.8	536.5
250	17.3	31.1	38.3	535.3
300	16.8	34.3	37.1	536.1
500	15.2	45.3	33.8	535.6

Frequency (MHz)	PSNEXT (≥dB)	ELNEXT (≥dB)	PSELFEXT (≥dB)
1.00	72.3	67.8	64.8
4.00	63.3	55.8	52.8
8.00	48.8	49.7	46.7
10.00	57.3	47.8	44.8
16.00	54.2	43.7	40.7
20.00	52.8	41.8	38.8
25.00	51.3	39.8	36.8
31.25	49.9	37.9	34.9
62.25	45.4	31.9	28.9
100	42.3	27.8	24.9
200	37.8	21.8	18.8
250	36.3	19.8	16.8
300	35.1	18.3	15.3
500	31.8	13.8	10.8

# OD6AF23JPE CAT.6A

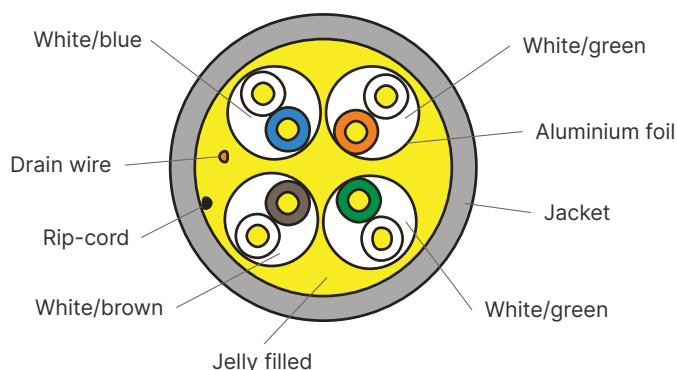
## 23AWG CAT6A U/FTP-ZST PE Network Cable

### Applications

- Horizontal Wiring in LAN
- IEEE 802.3: 10/100/1000 Base-T
- Power Over Ethernet PoE/PoE+
- IEEE 802.3af and IEEE 802.3at

### Physical Characteristics

Conductor	
Material	Solid Bare Copper
Conductor Diameter	0.550mm (±0.005)
Insulation	
Material	Skin-foam-skin PE
Overall Diameter	1.280mm (±0.05)
Screening Material	
AL/Mylar	Drain Wire: Yes
Sheath	
Thickness	0.55mm (±0.05)
External O.D.	7.1mm (±0.4)
Surface	Clean
Material	LDPE(complies RoHS)
Color	Black
Surface Printing	
Letter height	3.0mm (±0.3)
Color	White
Print error & Space	±0.5%, 1m
Color	
1. White Blue/Blue	2. White Orange/Orange
3. White Green/Green	4. White Brown/Brown
Packing	
	Drum
Wooden Tray Dimension	
	According to the requires
Packing Length	
	305m (±1.5)
Rip Cord	
	Yes
Sheath Physical Properties	
Before Aging Tensile Strength (Mpa)	≥10
Elongation (%)	≥350
Aging Period (°C×hrs)	100°C×24h×10d
After Aging Tensile Strength (Mpa)	≥10
Elongation (%)	≥300
Cold bend (-20±2°C×4h) 8×Cable O.D.	No visible cracks
Electrical Characteristics (20°C)	
1.0-250.0MHz Impedance(Ω)	100±15
1.0-250.0MHz Delay Skew(ns/100m)	≤45
Unbalanced-ground (pf/100m)max	330
DC Resistance (Ω/100m) max	9.38
DC Conductor Resistance Unbalance (%) max	5.0



### Standards

- ISO/IEC11801
- TIA-568-C.2
- RoHS

### Technical Performance (100m)

Frequency (MHz)	Return Loss (≥dB)	Attenuation 20°C (≤dB)	NEXT (≥dB)	DELAY (≤ns)
1.00	20.0	-	74.3	570
4.00	23.0	3.8	65.3	552
8.00	24.5	5.3	60.8	547
10.00	25.0	5.9	59.3	545
16.00	25.0	7.5	56.2	543
20.00	25.0	8.4	54.8	542
25.00	24.3	9.4	53.8	541
31.25	23.6	10.5	51.9	540
62.25	21.5	15.0	47.4	539
100	20.1	19.1	44.3	538
200	18.0	27.6	39.8	537
250	17.3	31.1	38.3	536
300	16.8	34.3	37.1	536
400	15.9	40.1	35.3	536
500	15.2	45.3	33.8	536

Frequency (MHz)	PSNEXT (≥dB)	ELNEXT (≥dB)	PSELFEXT (≥dB)
1	72.3	67.8	64.8
4	63.3	55.8	52.8
8	58.8	49.7	46.7
10	57.3	47.8	44.8
16	54.2	43.7	40.7
20	52.8	41.8	38.8
25	51.3	39.8	36.8
31.25	49.9	37.9	34.9
62.5	45.4	31.9	28.9
100	42.3	27.8	24.8
200	37.8	21.8	18.8
250	36.3	19.8	16.8
300	35.1	18.3	15.3
400	33.3	15.8	12.8
500	31.8	13.8	10.8

# OD6AF23L CAT.6A

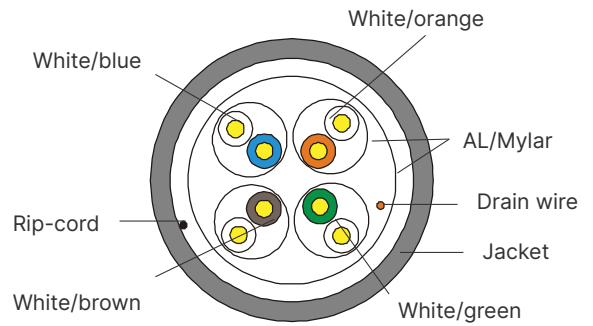
## 23AWG CAT6A F/FTP LSZH Network Cable

### Applications

- Horizontal Wiring in LAN
- IEEE 802.3: 10/100/1000 Base-T
- IEEE 802.5 16MB
- Power Over Ethernet PoE/PoE+
- IEEE 802.3af and IEEE 802.3at

### Physical Characteristics

Conductor	
Material	Solid Bare Copper
Conductor Diameter	0.560mm (±0.005)
Insulation	
Material	Skin-foam-skin PE
Overall Diameter	1.330mm (±0.05)
Screening Material	
AL/Mylar	Drain Wire: Yes
Sheath	
Thickness	0.55mm (±0.05)
External O.D.	7.5mm (±0.5)
Surface	Clean
Material	LSZH(complies RoHS)
Color	TBD
Surface Printing	
Letter height	3.0mm (±0.3)
Color	Black
Print error & Space	≤±0.5%, 1m
Color	
1. White Blue/Blue	2. White Orange/Orange
3. White Green/Green	4. White Brown/Brown
Packing	
Wooden Tray Dimension	According to the requires
Packing Length	305m (±1.5)
Rip Cord	Yes
Sheath Physical Properties	
Before Aging Tensile Strength (Mpa)	≥10.0
Elongation (%)	≥125
Aging Period (°C×hrs)	100°C×24h×7d
After Aging Tensile Strength (Mpa)	≥8.0
Elongation (%)	≥100
Cold bend (-20±2°C×4h) 8×Cable O.D.	No visible cracks
Electrical Characteristics (20°C)	
1.0-250.0MHz Impedance(Ω)	100±15
1.0-250.0MHz Delay Skew (ns/100m)	≤45
DC Resistance (Ω/100m) max	9.38
DC Conductor Resistance Unbalance (%) max	5.0



### Standards

- ISO/IEC11801
- TIA-568-C.2
- RoHS

### Technical Performance (100m)

Frequency (MHz)	Return Loss (≥dB)	Attenuation 20°C (≤dB)	NEXT (≥dB)	DELAY (≤ns)
1.00	20.0	-	74.3	570
4.00	23.0	3.8	65.3	552
8.00	24.5	5.3	60.8	547
10.00	25.0	5.9	59.3	545
16.00	25.0	7.5	56.2	543
20.00	25.0	8.4	54.8	542
25.00	24.3	9.4	53.3	541
31.25	23.6	10.5	51.9	540
62.25	21.5	15.0	47.7	539
100	20.1	19.1	44.3	538
200	18.0	27.6	39.8	537
250	17.3	31.1	38.3	536
300	16.8	34.3	37.1	536
400	15.9	40.1	35.3	536
500	15.2	45.3	33.8	536

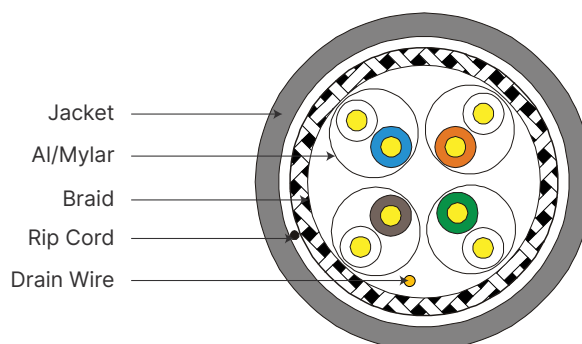
Frequency (MHz)	PSNEXT (≥dB)	ELNEXT (≥dB)	PSELFEXT (≥dB)
1.00	72.3	67.8	64.8
4.00	63.3	55.8	52.8
8.00	48.8	49.7	46.7
10.00	57.3	47.8	44.8
16.00	54.2	43.7	40.7
20.00	52.8	41.8	38.8
25.00	51.3	39.8	36.8
31.25	49.9	37.9	34.9
62.25	45.4	31.9	28.9
100	42.3	27.8	24.9
200	37.8	21.8	18.8
250	36.3	19.8	16.8
300	35.1	18.3	15.3
400	33.3	15.8	12.8
500	31.8	13.8	10.8

# OD6AS23L CAT.6A

## 23AWG CAT6A S/FTP LSZH Network Cable

### Applications

- Horizontal Wiring in LAN
- IEEE 802.3: 10/100/1000 Base-T
- IEEE 802.5 16MB
- Power Over Ethernet PoE/PoE+
- IEEE 802.3af and IEEE 802.3at



### Physical Characteristics

Conductor	
Material	Solid Bare Copper
Conductor Diameter	0.57mm (± 0.005)
Insulation	
Material	Skin-foam-skin PE
Overall Diameter	1.30mm (± 0.05)
Inner Screening Material	Al/Mylar; Drain wire: Yes
Outer Screening Material	Coverage: ≥40%
Sheath	
External O.D.	7.2mm (±0.5)
Surface	Clean
Material	LSZH(complies RoHS)
Color	TBD
Surface Printing	
Letter height	3.0mm (±0.3)
Color	Black
Print error & Space	≤±0.5%, 1m
Color	
1. White Blue/Blue	2. White Orange/Orange
3. White Green/Green	4. White Brown/Brown
Packing	
Wooden Tray Dimension	According to the requires
Packing Length	305m (±1.5)
Rip Cord	Yes
Sheath Physical Properties	
Before Aging Tensile Strength (Mpa)	≥10.0
Elongation (%)	≥125
Aging Period (°C×hrs)	100°C×24h×7d
After Aging Tensile Strength (Mpa)	≥8.0
Elongation (%)	≥100
Cold bend (-20±2°C×4h) 8×Cable O.D.	No visible cracks
Electrical Characteristics (20°C)	
1.0-250.0MHz Impedance(Ω)	100±15
250.0-500.0MHz Impedance(Ω)	100±22
1.0-250.0MHz Delay Skew(ns/100m)	≤45
DC Resistance (Ω/100m) max	9.38
DC Conductor Resistance Unbalance (%) max	5.0

### Standards

- ISO/IEC11801
- ANSI/TIA-568-C.2
- RoHS

### Technical Performance (100m)

Frequency (MHz)	Return Loss (≥dB)	Attenuation 20°C (≤dB)	NEXT (≥dB)	DELAY (≤ns)
1.00	20.0	2.10	74.3	570.0
4.00	23.0	3.80	65.3	552.0
8.00	24.5	5.3	60.8	546.7
10.00	25.0	5.9	59.3	545.4
16.00	25.0	7.5	56.2	543.0
20.00	25.0	8.4	54.8	542.1
25.00	24.3	9.4	53.3	541.2
31.25	23.6	10.5	51.9	540.4
62.25	21.5	15.0	47.7	538.6
100	20.1	19.1	44.3	537.6
200	18.0	27.6	39.8	536.5
250	17.3	31.1	38.3	535.3
300	16.8	34.3	37.1	536.1
500	15.2	45.3	33.8	535.6

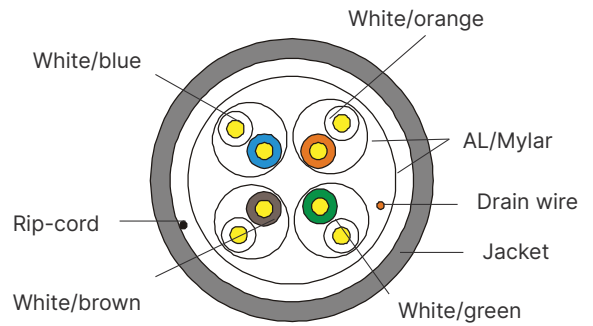
Frequency (MHz)	PSNEXT (≥dB)	ELNEXT (≥dB)	PSELFEXT (≥dB)
1.00	72.3	67.8	64.8
4.00	63.3	55.8	52.8
8.00	48.8	49.7	46.7
10.00	57.3	47.8	44.8
16.00	54.2	43.7	40.7
20.00	52.8	41.8	38.8
25.00	51.3	39.8	36.8
31.25	49.9	37.9	34.9
62.25	45.4	31.9	28.9
100	42.3	27.8	24.9
200	37.8	21.8	18.8
250	36.3	19.8	16.8
300	35.1	18.3	15.3
500	31.8	13.8	10.8

# OD7S823L CAT.7

## 23AWG CAT7 S/FTP LSZH Network Cable

### Applications

- Horizontal Wiring in LAN
- IEEE 802.3: 10/100/1000 Base-T
- IEEE 802.5 16MB
- Power Over Ethernet PoE/PoE+
- IEEE 802.3af and IEEE 802.3at



### Physical Characteristics

Conductor	
Material	Solid Bare Copper
Conductor Diameter	0.580mm (±0.005)
Insulation	
Material	Skin-foam-skin PE
Overall Diameter	1.350mm (±0.05)
Screening Material	
	AL/Mylar, Drain Wire: Yes
Outer Screening Material	
	Alum. Alloy 0.12mm, 40%
Sheath	
Thickness	0.55mm (±0.05)
External O.D.	7.8mm (±0.5)
Surface	Clean, Frap, Satiation
Material	LSZH(complies RoHS)
Color	TBD
Surface Printing	
Letter height	3.0mm (±0.3)
Color	Black
Print error & Space	≤±0.5%, 1m
Color	
1. White Blue/Blue	2. White Orange/Orange
3. White Green/Green	4. White Brown/Brown
Packing	
	Drum
Wooden Tray Dimension	
	According to the requires
Packing Length	
	305m (±1.0)
Rip Cord	
	Yes
Sheath Physical Properties	
Before Aging Tensile Strength (Mpa)	≥10.0
Elongation (%)	≥125
Aging Period (°C×hrs)	100°C×24h×7d
After Aging Tensile Strength (Mpa)	≥8.0
Elongation (%)	≥100
Cold bend (-20±2°C×4h) 8×Cable O.D.	No visible cracks
Electrical Characteristics (20°C)	
1.0-250.0MHz Impedance(Ω)	100±15
1.0-250.0MHz Delay Skew (ns/100m)	≤25
DC Resistance (Ω/100m) max	9.38
DC Conductor Resistance Unbalance (%) max	2.0

### Standards

- ISO/IEC11801
- TIA-568-C.2
- RoHS

### Technical Performance (100m)

Frequency (MHz)	Return Loss (≥dB)	Attenuation 20°C (≤dB)	NEXT (≥dB)	DELAY (≤ns)
1.00	20.0	-	78.0	570.0
4.00	23.0	3.74	78.0	552.0
8.00	24.5	5.24	78.0	546.7
10.00	25.0	5.86	78.0	545.4
16.00	25.0	7.41	78.0	543.0
20.00	25.0	8.29	78.0	542.0
25.00	24.3	9.29	78.0	541.2
31.25	23.6	10.41	78.0	540.4
62.25	21.5	14.88	75.5	538.6
100	20.1	19.02	72.4	537.6
150	18.9	23.56	69.8	536.9
200	18.0	27.47	67.9	536.5
250	17.3	30.97	66.4	536.3
300	17.3	34.19	65.2	536.1
600	17.3	50.10	60.7	535.5

Frequency (MHz)	PSNEXT (≥dB)	ELNEXT (≥dB)	PSELFEXT (≥dB)
1.00	75.0	78.0	75.0
4.00	75.0	78.0	75.0
8.00	75.0	75.9	72.9
10.00	75.0	74.0	71.0
16.00	75.0	69.9	66.9
20.00	75.0	68.0	65.0
25.00	75.0	66.0	63.0
31.25	75.0	64.1	61.1
62.25	72.5	58.1	55.1
100	69.4	54.0	51.0
150	66.8	50.2	47.2
200	64.9	48.0	45.0
250	63.4	46.0	43.0
300	62.2	44.5	41.5
600	57.7	38.4	35.4

# OD7S623 CAT.7

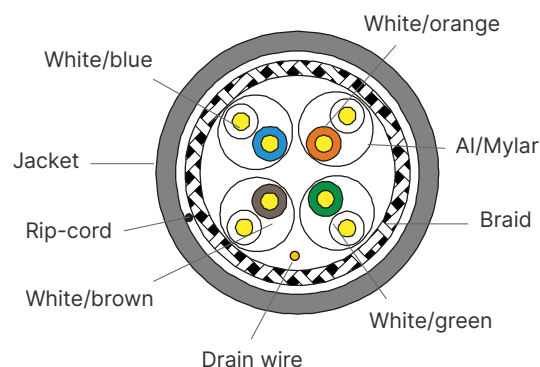
## 23AWG CAT7 S/FTP PVC Network Cable

### Applications

- Horizontal Wiring in LAN
- IEEE 802.3: 10/100/1000 Base-T
- IEEE 802.5 16MB
- Power Over Ethernet PoE/PoE+
- IEEE 802.3af and IEEE 802.3at

### Physical Characteristics

Conductor	
Material	Solid Bare Copper
Conductor Diameter	0.560mm (±0.005)
Insulation	
Material	Skin-foam-skin PE
Overall Diameter	1.330mm (±0.05)
Screening Material	
AL/Mylar	Drain Wire: Yes
Sheath	
Thickness	0.55mm (±0.05)
External O.D.	7.6mm (±0.5)
Surface	Clean, Frap, Satiation
Material	PVC(complies RoHS)
Color	TBD
Surface Printing	
Letter height	3.0mm (±0.3)
Color	Black
Print error & Space	±0.5%, 1m
Color	
1. White Blue/Blue	2. White Orange/Orange
3. White Green/Green	4. White Brown/Brown
Packing	
	Drum
Wooden Tray Dimension	
	According to the requires
Packing Length	
	305m (±1.5)
Rip Cord	
	Yes
Sheath Physical Properties	
Before Aging Tensile Strength (Mpa)	≥13.5
Elongation (%)	≥150
Aging Period (°C×hrs)	100°C×24h×7d
After Aging Tensile Strength (Mpa)	≥12.5
Elongation (%)	≥120
Cold bend (-20±2°C×4h) 8×Cable O.D.	No visible cracks
Electrical Characteristics (20°C)	
1.0-250.0MHz Impedance(Ω)	100±15
1.0-250.0MHz Delay Skew(ns/100m)	≤25
DC Resistance (Ω/100m) max	9.38
DC Conductor Resistance Unbalance (%) max	2.0



### Standards

- ISO/IEC11801
- TIA-568-C.2
- RoHS

### Technical Performance (100m)

Frequency (MHz)	Return Loss (≥dB)	Attenuation 20°C (≤dB)	NEXT (≥dB)	DELAY (≤ns)
1.00	20.0	-	78.0	570.0
4.00	23.0	3.74	78.0	552.0
8.00	24.5	5.24	78.0	546.7
10.00	25.0	5.86	78.0	545.4
16.00	25.0	7.41	78.0	543.0
20.00	25.0	8.29	78.0	542.0
25.00	24.3	9.29	78.0	541.2
31.25	23.6	10.41	78.0	540.4
62.25	21.5	14.88	75.5	538.6
100	20.1	19.02	72.4	537.6
150	18.9	23.56	69.8	536.9
200	18.0	27.47	67.9	536.5
250	17.3	30.97	66.4	536.3
300	17.3	34.19	65.2	536.1
600	17.3	50.10	60.7	535.5

Frequency (MHz)	PSNEXT (≥dB)	ELNEXT (≥dB)	PSELFEXT (≥dB)
1.00	75.0	78.0	75.0
4.00	75.0	78.0	75.0
8.00	75.0	75.9	72.9
10.00	75.0	74.0	71.0
16.00	75.0	69.9	66.9
20.00	75.0	68.0	65.0
25.00	75.0	66.0	63.0
31.25	75.0	64.1	61.1
62.25	72.5	58.1	55.1
100	69.4	54.0	51.0
150	66.8	50.2	47.2
200	64.9	48.0	45.0
250	63.4	46.0	43.0
300	62.2	44.5	41.5
600	57.7	38.4	35.4

# OD Patchcord Series

## Stranded Network Patch Cords

### Overview

Optic Digital CAT6 UTP patch cord are designed to assure high performance over longer distances. The patch cords are composed of 4-pairs, 24/7 AWG stranded conductors. The patch cords are terminated in factory with 8P8PC 50u" gold plated RJ45 plugs with Low smoke zero halogen (LSZH) jacket, boots are molded onto RG45 plug to ensure better connection. All patch cords are 100% tested in factory to ensure Gigabit performance.



### Features

- 10 Gigabit performance
- Flexible stranded bare copper conductors patch cable
- 2xRJ45 connector (TIA568-B coding)
- Comes with molded strain relief boots
- Comes in various colors
- Low Smoke Zero Halogen (LSZH) jacket.
- 100% factory terminated
- 100% factory tested

### Standards

- ANSI / TIA 568-C.2
- ISO / IEC 11801 2nd Ed; EN 50173
- IEC 61935-2; IEC 60603-7

### Specifications

RJ45 Plug	8P8C 50u" gold plated
Insulation Resistance	500mΩ (max.)
Contact Resistance	200mΩ (max.)
Current Rating	1.5Amps
DC Resistance	0.1Ω (max.)
Withstanding Voltage	1000 VAX RMS @ 60Hz/1min

### Ordering Information

Product code	Category Type	Length	F/UTP	Color
ODPC	XX	X	X	XX
	50 - CAT5e 24AWG 60 - CAT6 24AWG 6A - CAT6A 24AWG 680 - CAT6 28AWG 6A80 - CAT6A 28AWG	1 - 1meter 2 - 2meter 3 - 3meter 2 90 - 90meter	F - F/UTP	GY - Grey GN - Green RD - Red BL - Blue YL - Yellow VL - Purple

### Example

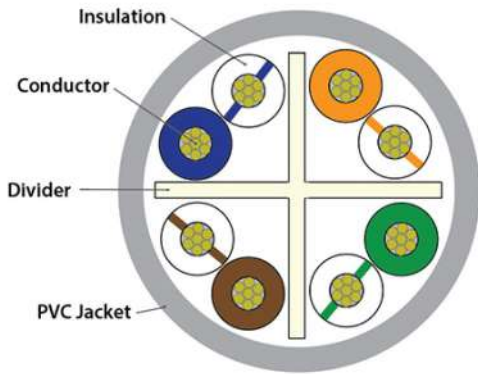
ODPC603GY = CAT6 24AWG F/UTP, Grey color patch cord with LSZH jacket in 3 meter length.

### Basic Info

CAT5e & CAT6 U/UTP, common with 24/28AWG stranded copper.  
CAT5e & CAT6 F/UTP, common with 26/28AWG stranded copper.  
CAT6a U/FTP & S/FTP, common with 26/28AWG stranded copper.

# OD Patchcord Series

## Clip Ultra Slim Patch Cord



### Features

- Improve airflow around the device
- Easy to access cables and equipment
- Provide more space for cable bridging and reduce the weight of the cable tray
- Allow shaper bend radius
- Achieve high density cabling
- Clips boot allows users to identify cable easily
- 7 colors clips available
- RJ-45 Hold Plated 50U" for 750 mating cycles
- Bare Copper
- UL Certified
- ISO/IEC 11801:2011
- ANSI/TIA-568.2-D
- EN50173-1:2011
- EN50173:2007 including amendment A1:2010
- IEC61935-2:2010
- (ED.3.0 transmission requirements)

### Ordering Information

ODPC6A7YYXX	CAT.6A S/FTP 30/7 AWG Clip patch cord
ODPC68YYXX	CAT.6 U/UTP 28/7 AWG Clip patch cord

**Note:**

XX : Color    YY : Length (ODPC6803BL = CAT6 28AWG 3M Blue Patch Cord)



# OD Faceplate Series

## Classic Multi Gang Faceplates (White)

### Overview

ODFP-G series faceplates are a perfect fitting for cables that have been run between rooms beneath floors and behind walls. The wires can be attached to the keystone jack at the back of the sockets in just a few minutes, using an IDC termination tool which is a small scale technician's tool for guiding wires into small sockets.

### Features

- Supplied with 1/2/4 keystone RJ-45 modular sockets
- Can be used over distances up to 100m/328ft for networking purposes
- TIA/EIA-568-A/B UTP wiring layout
- IDC termination points
- Fits a standard single back box
- Fixing screws supplied
- Standards - ROHS Compliant and CE Approved



### Specifications

Type	Faceplate
Advantage	With Shutter
Port	1 / 2 / 4
Color	White
Cover Material	ABS
Size	86 × 86mm
Accessories	2 screws
Net Weight	42g

### Available Options

ODFP0100G	1 Gang classic RJ45 faceplate	1 Gang
ODFP0200G	2 Gang classic RJ45 faceplate	2 Gang
ODFP0400G	4 Gang classic RJ45 faceplate	4 Gang

# OD Faceplate Series

## Classic Multi Gang Angle Faceplates (White)

### Overview

ODFPA-G series faceplates are a perfect fitting for cables that have been run between rooms beneath floors and behind walls. The wires can be attached to the keystone jack at the back of the sockets in just a few minutes, using an IDC termination tool which is a small scale technician's tool for guiding wires into small sockets.



### Features

- Supplied with 1/2/4 keystone RJ-45 modular sockets
- Can be used over distances up to 100m/328ft for networking purposes
- TIA/EIA-568-A/B UTP wiring layout
- IDC termination points
- Fits a standard single back box
- Fixing screws supplied
- Standards - ROHS Compliant and CE Approved



### Specifications

Type	Faceplate
Advantage	With Shutter
Port	1 / 2 / 4
Color	White
Cover Material	ABS
Size	86 × 86mm
Accessories	2 screws
Net Weight	42g

### Available Options

ODFPA0100G	1 Gang angle RJ45 faceplate	1 Gang
ODFPA0200G	2 Gang angle RJ45 faceplate	2 Gang

# Faceplate System

## Faceplate Frames

### ODFPI01

86×86mm Single Port Faceplate Frame



#### Specifications

Termination	4 Screws Terminal
Finish	White Plastic
Dimensions (H x W)	86mm x 86mm

#### Order Information

ODFPI01	Single port faceplate frame, UK frame (86×86)
---------	-----------------------------------------------

### ODFPI02

86×86mm Dual Port Faceplate Frame



#### Specifications

Termination	4 Screws Terminal
Finish	White Plastic
Dimensions (H x W)	86mm x 86mm

#### Order Information

ODFPI02	Dual port faceplate frame, UK frame (86×86)
---------	---------------------------------------------

### ODFPI03

86×86mm Triple Port Faceplate Frame



#### Specifications

Termination	4 Screws Terminal
Finish	White Plastic
Dimensions (H x W)	86mm x 86mm

#### Order Information

ODFPI03	Triple port faceplate frame, UK frame (86×86)
---------	-----------------------------------------------

# Snap-In Module

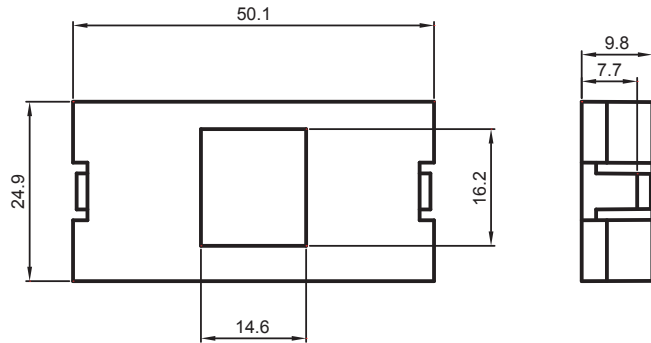
## Network & Fiber Snap-In Modules

### ODIRJ

1" RJ45 Keystone Jack Snap-In Module



- Fits 10G Surface Mount Box
- RoHS Compliant



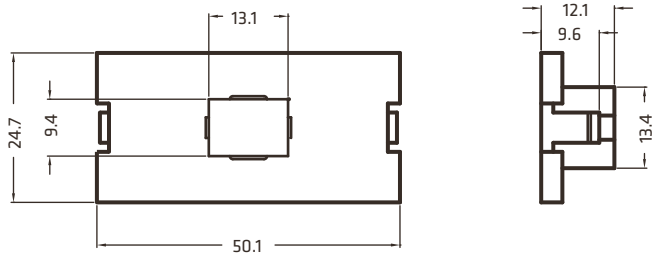
ODIRJ	1" RJ45 keystone jack snap-in module	Snap-in, RJ45 keystone jack
-------	--------------------------------------	-----------------------------

### ODILCSC

1" Snap-In Module, Single Keystone Adapter



- Fits Fiber Surface Mount Box
- RoHS Compliant



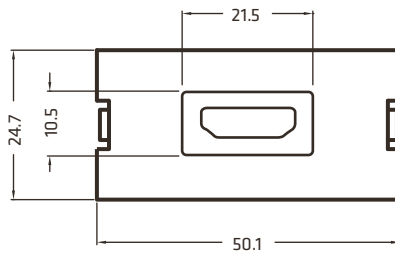
ODILCSC	1" SC & LC fiber snap-in module	Snap-in, SC/LC Fiber
---------	---------------------------------	----------------------

### ODFPIHDMI

1" Snap-In 90 Degree HDMI Module



- Fits Surface Mount Box
- RoHS Compliant



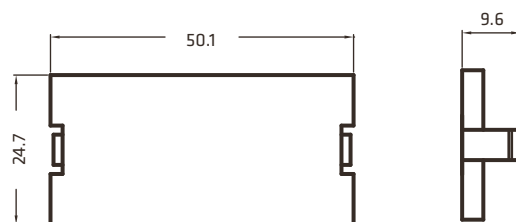
ODFPIHDMI	1" HDMI snap-in module	Snap-in, HDMI
-----------	------------------------	---------------

### ODI01

1" Snap-In Blank Module



- Fits Surface Mount Box
- RoHS Compliant



ODI01	1" Snap-in blank module	Snap-in, Blank
-------	-------------------------	----------------

# Keystone Jack

## RJ45 Network Keystone Jacks

### Overview

The OD keystone jacks are designed to meet the industry standard TIA/EIA 568-C.2 requirements, it works in conjunction with the cables to go faceplates and surface boxes or any standard keystone and angled multimedia faceplate or patch panel. Each keystone jack includes 110-type IDC straight-back termination with strain relief caps, and comes with standard gold plating on the jack contacts.



CAT5e Unshielded Jack    CAT5e Shielded Jack

### Features

- Easy to use, modular CAT6 RJ45 Keystone jack for ethernet.
- 110 type IDC punch down connectors
- 180 degree wire connection.
- Can be used with keystone wall plate or patch panel.
- Standard keystone size
- Color coded wiring diagram next to wire clips.
- 568A and B compliant.
- UL listed.
- Includes clear plastic termination cap.



Shielded CAT6a Jack    Unshielded CAT6a Jack    Unshielded CAT6 Jack

### Standards

- ANSI / TIA 568-C.2
- ISO / IEC 11801 2nd Ed
- IEC 60603-7-[4, 5]
- EN 50173-1; EN 50173-2

### Specifications

Type	Panel-type Unshielded RJ-45 (8P8C)
Termination	110/KRONE IDC vertical punchdown
AWG Wire	22 - 26AWG Wires
Contact Surface Finish	50u" gold plated over contact area
IDC Surface Finish	Tin plated
Support Wiring	Dual T568A & T568B
Applications	Any unloaded keystone faceplate or patch panel
Certifications	UL listed; Complies with FCC Part 68
Color	White
Weight	0.3lbs

### Available Options

ODKJ5003P	CAT5e unshielded keystone jack	CAT5e, unshielded
ODKJ5003S	CAT5e shielded keystone jack	CAT5e, shielded
ODKJ6006P	CAT6 unshielded keystone jack	CAT6, unshielded
ODKJ6006FP	CAT6 FTP shielded keystone jack	CAT6, FTP, shielded
ODKJ6A06P	CAT6a unshielded keystone jack	CAT6a, unshielded
ODKJ6A06F	CAT6a shielded keystone jack	CAT6a, shielded

# OD 6A Connector Series

## CAT.6A RJ45 Solid Plug

### Overview

Optic Digital RJ45 plug for shielded and unshielded 23AWG solid wire are suitable for CAT.6A cable sizes, to keep the integrity of the twisted pairs and aids in loading in plug.

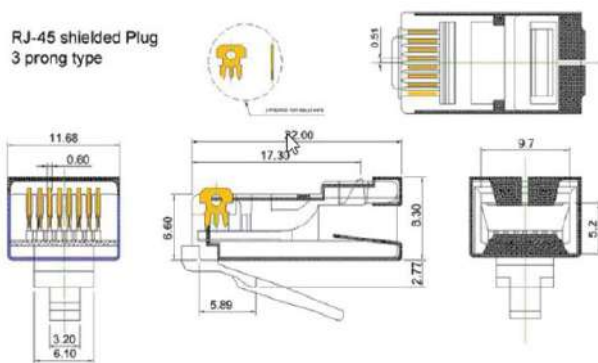
### Electrical Charateristics

- **Dielectric withstanding voltage:** 1000 VAC (RMS)
- **Contact resistance:** 10 milliohms max
- **Current rating:** 30 VAC at 1.5 AMPS
- **Insulation resistance:** 500 megohms min

### Mechanical Characteristics

- **Housing:** Polycarbonate
- **Contact material:** Phosphor bronze alloy
- **Contact plating:** 50 mirco-inch gold plating over nickel plating cable-to-plug tensile round and flat cable available
- **Strength:** 20lbs min between the cable and plug
- **Durability:** 750 cycles minimum
- **Operating temperature:** -20°C to +75°C

### Dimensions



ODRJ4566A Unshielded



ODRJ4566AS Shielded

### Applications

- 10 Base-T (IEEE 802.3)
- Fast Ethernet (IEEE 802.3u)
- 100Vg-AnyLAN (IEEE 802-12)
- Token Ring (IEEE 802.5)
- TP-PMD (ANSI X 3T9.5)
- 100 Mbps CDDI
- ATM 155
- Gigabit 1000 Mbps (802.3z)

### Standards

- ISO/IEC11801 2nd edition
- ANSI/TIA/EIA Cabling Standard 568-C.2
- CENELEC EN 50173
- RoHS-6 Compliant

### Ordering Information

ODRJ4566A	CAT.6A RJ-45 plug for unshielded solid wire 23-26AWG
ODRJ4566AS	CAT.6A RJ-45 plug for shielded solid wire 23-24AWG

# OD Connector Series

## RJ45 Modular Plug 8-Pin Network Connectors

### Features

- Gold plated leads for better data transmitting and
- higher signal strength
- Suitable for 26-23AWG network cable
- Single piece construction
- UL1863 standard and RoHS Compliant



### Specifications

PHYSICAL CHARACTERISTICS	
Plug Type	Modular Plug
Contact Blade	Phosphor bronze plated with 50u" gold over 100u" nickel undercoat
ELECTRICAL CHARACTERISTICS	
Current Rating	1.5 A maximum
Characteristic Impedence	100 Ohms
Insulation Resistance	100 Mohms Min
Contact Resistance	20 Mohms Max
Voltage Rating	30 VAC maximum
MECHANICAL CHARACTERISTICS	
Cable Retention Force	40 lbs Max
Max Insertion and Withdrawal Force	22 N
Humidity	10% to 90% R.H.
WIRE RANGE	
Conductor Diameters	0.41mm to 0.52mm (26AWG to 23AWG)
Conductor Type	Solid; Stranded
Insulation Diameters	0.98mm to 1.05mm
Cable Diameters	5.0mm to 7.0mm
APPLICABLE STANDARDS	
UL Specification	UL 1863
EIA Specification	EIA-364
EU RoHS Compliant (Y/N)	Y

### Available Options

ODRJ4563	CAT6 3Mil unshielded RJ45 network modular plug connector	CAT6, 3Mil
ODRJ4566	CAT6 6Mil unshielded RJ45 network modular plug connector	CAT6, 6Mil
ODRJ4569S	CAT6 FTP RJ45 network modular plug connector	CAT6, FTP
ODRJ4579S	CAT7 STP RJ45 network modular plug connector	CAT7, STP
ODRJ1103	CAT3 unshielded RJ11 modular plug connector	CAT3
ODRJ6688	CAT6 toolless unshielded modular plug connector	CAT6, Toolless
ODRJ6688SA	CAT6a toolless shielded modular plug connector	CAT6a, Shielded, Toolless
ODRJ6689A	CAT6a toolless unshielded modular plug connector	CAT6a, Toolless
ODRJ4566PT	CAT6 RJ45 Pass Through Connector 6 Mil	CAT6, Pass Through
ODRJ4569SPT	CAT6 FTP RJ45 Pass Through Connector 6 Mil	CAT6, FTP, Pass Through

# OD Rubber Boots Series

## RJ45 Connector Rubber Boots Network Cable Ends Plug

### Overview

Rubber boots improve the identification and durability of patch cords terminated with the industry standard RJ45 plug. They can be used when creating a network cable and come in a range of colors to match the cable used. Our flexible rubber boots ensure ease of latch disengagement.

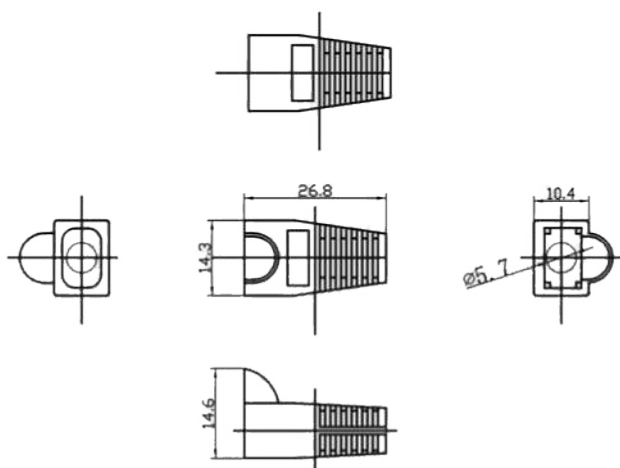


### Features

- Strain relief moulded boots for RJ45 connections
- For quick and easy identification of your network cables
- Apply during cable assembly on Cat5e or Cat6 cables

### Specifications

Material	PVC Plastic
Moulding Length	26.8mm
Moulding Width (plug end)	14.3mm
Moulding Width (cable end)	8mm
Cable Aperture Width	5.7mm
Rubber Thickness	1.3mm



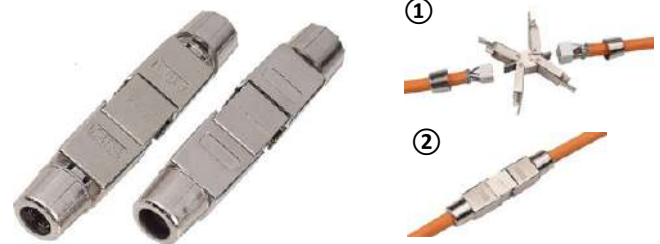


# OD Connector Series

## CAT6 & CAT6A Shielded Toolless Connector

### Description

- CAT.6A shielded toolless connector
- Color: Silver
- RoHS, Reach complaint



ODRJ603S

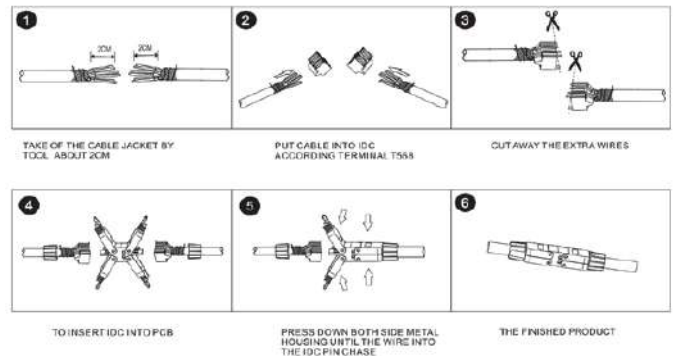
### Cable Matched

- Solid and standard
- 22AWG/23AWG/24AWG

### Environment

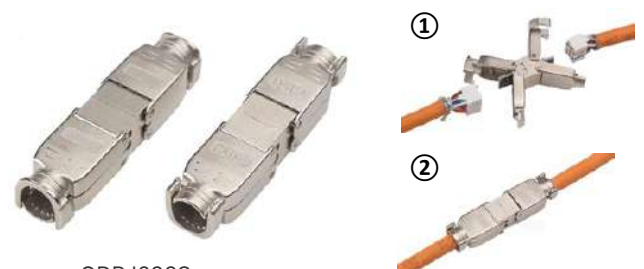
- Storage: -40°/ +70°
- Operation: -10°/ +60°

CAT6A SHIELDED TOOLLESS CONNECTOR INSTRUCTION MANUAL



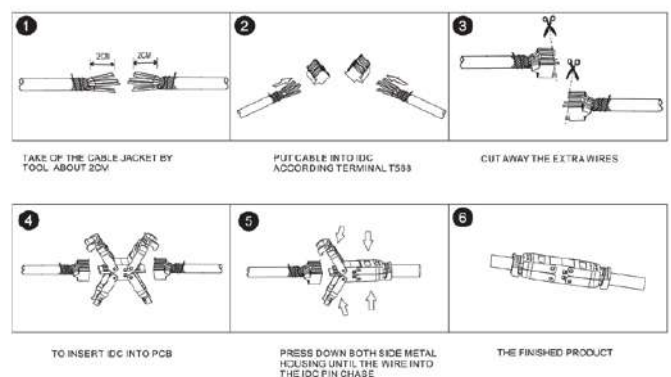
### Electrical

Contact Resistance	20m Ohm
Insulation Resistance	≤500m Ohm @100V DC
Withstand Voltage	DC1000C AC700C RMS 60Hz, Imin
CAT6A Permanent Link	Confrom to ANSI/TIA/EIA 568B. 2-10



ODRJ633S

CAT6A SHIELDED TOOLLESS CONNECTOR INSTRUCTION MANUAL



### Mechanical

Shielded Material	Zinc Alloy
Plastic Material	New PC
Terminal Pins	Phosphor bronze, Zin plating
RJ45 Contact Life	750 times min
IDC Terminal Life	250 times min

### Available Options

ODRJ603S	CAT6 Shielded Toollest Connector Type A
ODRJ633S	CAT6 Shielded Toollest Connector Type B
ODRJ603AS	CAT6A Shielded Toollest Connector Type A
ODRJ633AS	CAT6A Shielded Toollest Connector Type B

# OD Patch Panel Series

## 24/48-Ports Full Loaded UTP Patch Panels

### Overview

The OD 24/48-ports patch panels offer cost-effective solution to achieve high performance that exceeds ANSI/TIA-568 Category CAT5e and CAT6 standards. This horizontal patch panel is designed with rear 110 IDC's for quick and easy punch-down termination. It also comes integrated with a universal label for either 568-A or B wiring. Package includes #12 rack screws.

### Features

- Provides excellent performance for data networks requiring maximum speed and bandwidth
- Enhanced crosstalk cancellation reduces return loss and improves performance by rejecting noise and unwanted signals
- Exceeds ANSI/TIA-568-C.2 CAT5e & CAT6 connecting hardware requirements
- Engineering to provide 110 IDC termination reducing installation time
- Includes both T568A and T568B color wiring diagrams
- Backwards compatible to all lower rated category components
- Designed to fit all standard 19" racks and cabinets
- 1 rack mount space (RMS)



### Specifications

Capacity	24/48 connectors (RJ45)
Front Connection	Flush
Termination Area	Rear
Material	Steel
Color	Black
Size	1U

### Performance

Wiring	TIA 568 A/B
IDC Type	110
Insertion Force	≤ 30N
Plug Insertion Life	800 times insertion (RJ45)
Wire Size Capacity	22 - 26 AWG solid wire

### Available Options

ODPP5e24	CAT5e 24-port fully loaded UTP punch-down network patch panel	CAT5e, UTP, 24-port
ODPP6024	CAT6 24-port fully loaded UTP punch-down network patch panel	CAT6, UTP, 24-port
ODPP6024EM	CAT6 24-port empty UTP punch-down network patch panel	CAT6, UTP, 24-port, Empty
ODPP6024F	CAT6 24-port fully loaded FTP punch-down network patch panel	CAT6, FTP, 24-port
ODPP6048	CAT6 48-port fully loaded UTP punch-down network patch panel	CAT6, UTP, 48-port
ODPP6048EM	CAT6 48-port empty UTP punch-down network patch panel	CAT6, UTP, 48-port, Empty

# OD Patch Panel Series

## 19" 1U 24 Port CAT.6A Punchdown Patch Panels

### Overview

Optic Digital CAT.6A UTP Patch Panel is an enhanced performance patch panel used for transmission of high speed data, digital and analogue voice and video RGB signals on LANs. It supports Gigabit Ethernet (10G BASE-T) standard and operates at bandwidths up to 500 MHz.

### Features

- Category 6A hardware compliant performance.
- "Write on" description lable protection by clear plastic holder
- for clear port marking and identification.
- Component level tested.
- RoHS Compliant
- Designed to be quick and easy to install and terminate.
- Compatible with CAT.6A component performance (568-2.D)

### Standards

- ISO/IEC 11801, CAT.6A
- IEC 60603-7-51
- ANSI/TIA-568-C.2, CAT.6A
- UL 1863 safety listed
- ETL verified
- UL 94V-0 flammability standard

### Applications

- 100BASE-T Ethernet (IEEE802.3)
- 155/622Mbps 1.2/2.4 Gbps ATM
- 1GB Ethernet
- 10GB Ethernet
- Power over Ethernet

### Technical Specifications

<b>Panel</b>	SPCC, T=1.8mm, Ni plated
<b>Front Cover</b>	ABS+PC, UL94V0, High impact
<b>Rear Cable Management</b>	SPCC, black coated
<b>Connector Material</b>	Phosphor bronze alloy plated with 50 micron-inch of gold over 70~100 Micron-inch of Nickel

### Available Options

<b>ODPP6A24F</b>	Optic Digital CAT.6A FTP 1U 24 port patch panel	1pcs / box
<b>ODPP6A24</b>	Optic Digital CAT.6A UTP 1U 24 port patch panel	1 pcs / box





# 03

## Equipment Racks

# 60 Series Cabinet

## 60KG Loading Capacity Wall Mount Cabinets

### Features

- Various sizes and parts are available according to different application demand
- Completely welded structure, firm and reliable
- Cable in/out access at the top, bottom and rear for convenient cabling on site
- Embedded side panel, tool free in assembling and dismantling, lock is optional
- Front door can be dismantled and change from right to left quickly without tools, opening angle 180°, convenient for equipments installation and maintenance
- Providing several copper grounding stud castor or adjustable feet is optional for fix to the ground
- Maximum static loading is 60kgs
- Surface treatment procedure is degreasing→pickling-->anti-rust and phosphorization→water cleaning-->powder coating, RoHS compliant



### Application

Specially designed for internet servers, provides excellent and stable work environment for equipments inside the cabinet, used in data centers of bank, financial, telecom,government, education and security departments.

### Standards

Comply with EIA-310-E, IEC297-2, DIN41491 PART1, DIN41494 PART7, GB/T3047.2-92 standard, compatible with ETSI standard.

### 60 Series Door Style



Steel Door



Glass door with fiamme



Glass door with fiamme with ellipse hole



Perforated door with hex hole



Glass door

### Ordering Information

Model	Capacity (U)	Width (mm)	Depth (mm)	Height (mm)	Packing Dimension (mm)			Volume (CBM)
					Width	Depth	Height	
6U64P060	6	600	450	370	640	490	140	0.04
6U66P060	6	600	600	370	640	640	220	0.09
9U64P060	9	600	450	503	640	490	220	0.07
9U66P060	9	600	600	503	640	640	220	0.09
12U64P060	12	600	450	637	675	590	220	0.09
12U66P060	12	600	600	637	675	640	220	0.10
15U64P060	15	600	450	770	810	590	220	0.11
15U66P060	15	600	600	770	810	640	220	0.11
18U64P060	18	600	450	903	940	590	220	0.12
18U66P060	18	600	600	903	940	640	220	0.13

# 500 Series Cabinet

## 500KG Loading Capacity Server Cabinets

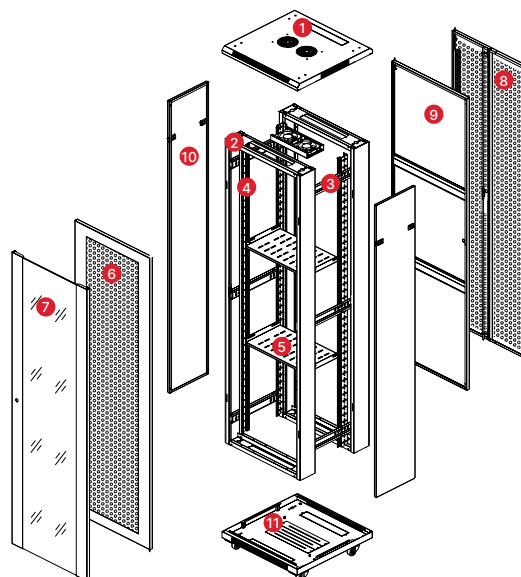
### Features

- Various sizes and parts are available according to different application demand
- Welded frame, demountable structure design, light duty but sturdy and flexible
- Closed-able cable routing at top and bottom panel, according to project request, customized big cable entrance at bottom is available on demand
- Embedded side panel, tool free in assembling and dismantling, lock is optional
- Front door and rear door can be interchanged quickly without tools, opening angle 180°, convenient for equipments installation and maintenance
- Providing several copper grounding stud
- Complete accessories
- Provided with adjustable feet, max. static loading is 500kgs
- Plinth is optional in order to fix the cabinet, for bottom cable routing, cooling and anti-rats
- Surface treatment procedure is degreasing→pickling→antirust→phosphorization→water cleaning→powder coating

### Standards

Comply with EIA-310-E, IEC297-2, DIN41491 PART1, DIN41494 PART7, GB/T3047.2-92 standard, compatible with ETSI standard.

- |                           |                |
|---------------------------|----------------|
| ① Top Panel               | ⑦ B Door       |
| ② Frame                   | ⑧ F Door       |
| ③ Mounting Beam           | ⑨ A Door       |
| ④ Vertical Mounting Rails | ⑩ Side Panel   |
| ⑤ Fixed Shelf             | ⑪ Bottom Panel |
| ⑥ E Door                  |                |



### Ordering Information

Model	Size (U)	Overall Height (mm)	Width (mm)	Depth (mm)	Power Socket
4266P500	42	2055	600	600	10 Socket
4268P500	42	2055	600	800	10 Socket
4262P500	42	2055	600	1200	10 Socket
4260P500	42	2055	600	1000	10 Socket
4280P500	42	2055	800	1000	10 Socket
4280P500F	42	2055	800	1000	10 Socket
3768P500	37	1833	600	800	5 Socket
3766P500	37	1833	600	600	5 Socket
3268P500	32	1610	600	800	5 Socket
3266P500	32	1610	600	600	5 Socket
2768P500	27	1388	600	800	5 Socket
2766P500	27	1388	600	600	5 Socket
2468P500	24	1255	600	800	5 Socket
2466P500	24	1255	600	600	5 Socket
1866P500	18	988	600	600	5 Socket
1868P500	18	988	600	800	5 Socket

# 800 Series Cabinet

## 800KG Loading Capacity Server Cabinets

### Features

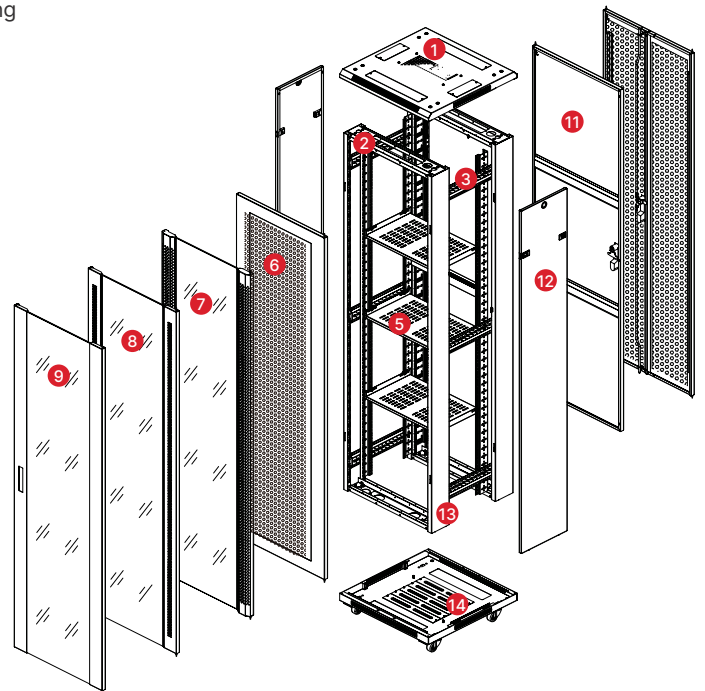
- Various sizes and parts are available according to different application demand
- Welded frame, demountable structure design, light duty but sturdy and flexible
- Closed-able cable routing at top and bottom panel, according to project request, customized big cable entrance at bottom is available on demand
- Embedded side panel, tool free in assembling and dismantling, lock is optional
- Front door and rear door can be interchanged quickly without tools, opening angle 180°, convenient for equipments installation and maintenance
- Rotary door handle, keys are universal to front and rear doors for all 800 series cabinets
- Providing several copper grounding stud. Complete accessories
- Provided with adjustable feet, maximum static loading is 800kgs
- Plinth is optional in order to fix the cabinet, for bottom cable routing, cooling and anti-rats
- Surface treatment procedure is degreasing → pickling → antirust → phosphorization → water cleaning → powder coating
- RoHS compliant.



### Standards

Comply with EIA-310-E, IEC297-2, DIN41491 PART1, DIN41494 PART7, GB/T3047.2-92 standard, compatible with ETSI standard.

- |                           |                 |
|---------------------------|-----------------|
| 1 Top Panel               | 8 C Door        |
| 2 Frame                   | 9 B Door        |
| 3 Mounting Beam           | 10 F Door       |
| 4 Vertical Mounting Rails | 11 A Door       |
| 5 Fixed Shelf             | 12 Side Panel   |
| 6 E Door                  | 13 Spacer       |
| 7 D Door                  | 14 Bottom Panel |



### Ordering Information

Model	Size (U)	Overall Height (mm)	Width (mm)	Depth (mm)	Power Socket
4268P800	42	2055	600	800	10 Socket
4260P800	42	2055	600	1000	10 Socket
4280P800	42	2055	800	1000	10 Socket
3266P800	32	1610	600	600	10 Socket
3268P800	32	1610	600	800	10 Socket
3766P800	37	1833	600	600	10 Socket
3768P800	37	1833	600	800	10 Socket

# 1200 Series Cabinet

## 1200KG Loading Capacity Server Cabinets

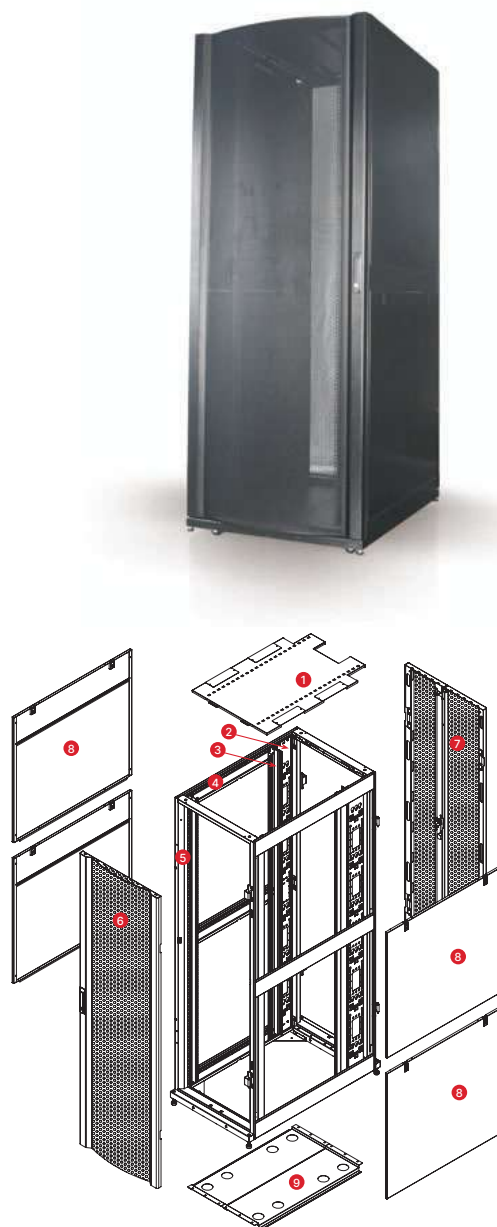
### Features

- Various sizes and parts are available according to different application demand.
- Welded frame, demountable structure design, light duty but sturdy and flexible.
- Closed-able cable routing at top and bottom panel without tools. Brush panel to prevent dust and outside things.
- Two cable management rails are equipped at the rear of the cabinet for cable management for PDU assembly.
- Embedded side panel, tool free in assembling and dismantling,
- Front door and rear door can be interchanged quickly without tools, opening angle 130°, convenient for equipments installation and maintenance.
- Rotary door handle, keys are universal to front and rear doors for all KH series cabinets.
- With cabinets connector & complete accessories.
- Provided with adjustable feet, maximum static loading is 1500kgs. Surface treatment procedure is degreasing → pickling → anti-rust and phosphorization → water cleaning → powder coating, RoHS compliant.

### Standards

Comply with EIA-310-E, IEC297-2, DIN41491 PART1, DIN41494 PART7, GB/T3047.2-92 standard, compatible with ETSI standard.

- |                                 |                     |                       |
|---------------------------------|---------------------|-----------------------|
| <b>1</b> Top Panel              | <b>5</b> Frame      | <b>9</b> Bottom Panel |
| <b>2</b> Cable Management Rails | <b>6</b> J Door     |                       |
| <b>3</b> Mounting Beam          | <b>7</b> K Door     |                       |
| <b>4</b> Side Brace             | <b>8</b> Side Panel |                       |



### Ordering Information

Model	Capacity (U)	Width (mm)	Depth (mm)	Height (mm)	Packing Dimension (mm)			Volume (CBM)
					Width	Depth	Height	
4268P1200	42	600	800	1992	670	900	2070	1.25
4260P1200	42	600	1000	1992	670	1100	2070	1.53
4261P1200	42	600	1100	1992	670	1200	2070	1.66
4262P1200	42	600	1200	1992	670	1300	2070	1.80
4288P1200	42	800	800	1992	870	900	2070	1.62
4280P1200	42	800	1000	1992	870	1100	2070	1.98
4281P1200	42	800	1100	1992	870	1200	2070	2.16
4282P1200	42	800	1200	1992	870	1300	2070	2.34
4568P1200	45	600	800	2125	670	900	2340	1.41
4560P1200	45	600	1000	2125	670	1100	2340	1.72
4561P1200	45	600	1100	2125	670	1200	2340	1.88
4562P1200	45	600	1200	2125	670	1300	2340	2.04
4588P1200	45	800	800	2125	870	900	2340	1.83
4580P1200	45	800	1000	2125	870	1100	2340	2.24
4581P1200	45	800	1100	2125	870	1200	2340	2.44
4582P1200	45	800	1200	2125	870	1300	2340	2.65
5282P1200	52	800	1200	2438	870	1300	2650	2.90



# 1500 Series Cabinet

## 1500KG Loading Capacity Server Cabinets

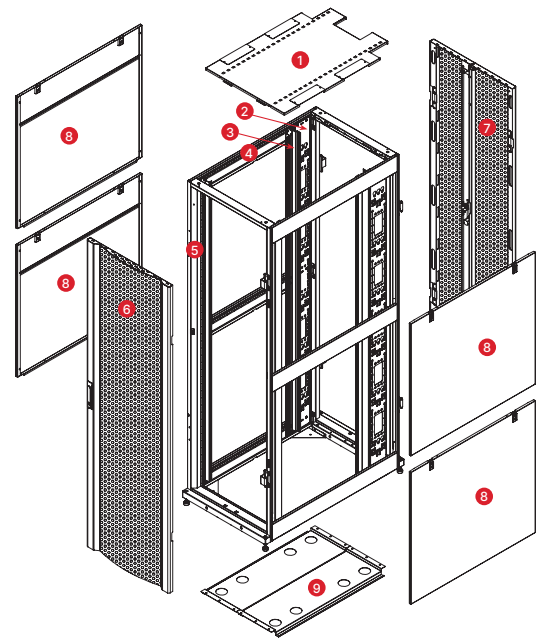
### Features

- Various sizes and parts are available according to different application demand.
- Welded frame, demountable structure design, light duty but sturdy and flexible.
- Closed-able cable routing at top and bottom panel without tools. Brush panel to prevent dust and outside things.
- Two cable management rails are equipped at the rear of the cabinet for cable management for PDU assembly.
- Embedded side panel, tool free in assembling and dismantling,
- Front door and rear door can be interchanged quickly without tools, opening angle 130°, convenient for equipments installation and maintenance.
- Rotary door handle, keys are universal to front and rear doors for all KH series cabinets.
- With cabinets connector & complete accessories.
- Provided with adjustable feet, maximum static loading is 1500kgs. Surface treatment procedure is degreasing → pickling → anti-rust and phosphorization → water cleaning → powder coating, RoHS compliant.

### Standards

Comply with EIA-310-E, IEC297-2, DIN41491 PART1, DIN41494 PART7, GB/T3047.2-92 standard, compatible with ETSI standard.

- |                          |              |                |
|--------------------------|--------------|----------------|
| ① Top Panel              | ⑤ Frame      | ⑨ Bottom Panel |
| ② Cable Management Rails | ⑥ J Door     |                |
| ③ Mounting Beam          | ⑦ K Door     |                |
| ④ Side Brace             | ⑧ Side Panel |                |



### Ordering Information

Model	Capacity (U)	Width (mm)	Depth (mm)	Height (mm)	Packing Dimension (mm)			Volume (CBM)
					Width	Depth	Height	
4268P1500	42	600	800	1992	670	900	2070	1.25
4260P1500	42	600	1000	1992	670	1100	2070	1.53
4261P1500	42	600	1100	1992	670	1200	2070	1.66
4262P1500	42	600	1200	1992	670	1300	2070	1.80
4288P1500	42	800	800	1992	870	900	2070	1.62
4280P1500	42	800	1000	1992	870	1100	2070	1.98
4281P1500	42	800	1100	1992	870	1200	2070	2.16
4282P1500	42	800	1200	1992	870	1300	2070	2.34
4562P1500	45	600	1200	2125	670	1300	2240	2.36
4582P1500	45	800	1200	2125	870	1300	2240	2.40
4868P1500	48	600	800	2260	670	900	2340	1.41
4860P1500	48	600	1000	2260	670	1100	2340	1.72
4861P1500	48	600	1100	2260	670	1200	2340	1.88
4862P1500	48	600	1200	2260	670	1300	2340	2.04
4888P1500	48	800	800	2260	870	900	2340	1.83
4880P1500	48	800	1000	2260	870	1100	2340	2.24
4881P1500	48	800	1100	2260	870	1200	2340	2.44
4882P1500	48	800	1200	2260	870	1300	2340	2.65
5282P1500	52	800	1200	2438	870	1300	2650	2.90

# Rack Accessories

## Rack Panels

### Blank Panel

**Material** : t1.2 SPCC cold rolled steel.  
**Surface Finish** : Degreasing, pickling, phosphoric, powder coated.



Model	Part name	Size	Packing Dimension	Qty	Usage
PBBLK1U	1U Blank panel	1U	505 x 100 x 55	10	19" used for blocking the airflow and aesthetic
PBBLK2U	2U Blank panel	2U	505 x 100 x 55	6	19" used for blocking the airflow and aesthetic
PBBLK3U	3U Blank panel	3U	505 x 145 x 50	6	19" used for blocking the airflow and aesthetic
PBBLK4U	4U Blank panel	4U	505 x 190 x 55	6	19" used for blocking the airflow and aesthetic

### Fast Locking Blank Panel

**Material** : t1.2 SPCC cold rolled steel.  
**Surface Finish** : Degreasing, pickling, phosphoric, powder coated.



Model	Part name	Size	Packing Dimension	Qty	Usage
PBBLK1UF	1U Fast locking blank panel	1U	505 x 100 x 55	8	19" used for blocking the airflow and aesthetic
PBBLK2UF	2U Fast locking blank panel	2U	505 x 100 x 55	4	19" used for blocking the airflow and aesthetic
PBBLK3UF	3U Fast locking blank panel	3U	500 x 145 x 50	4	19" used for blocking the airflow and aesthetic
PBBLK4UF	4U Fast locking blank panel	4U	500 x 190 x 55	4	19" used for blocking the airflow and aesthetic

### Clicking Type Blank Panel

**Material** : t1.2 SPCC cold rolled steel.  
**Surface Finish** : Degreasing, pickling, phosphoric, powder coated.



Model	Part name	Size	Packing Dimension	Qty	Usage
PBBLK1UC	1U Clicking type blank panel	1U	505 x 100 x 55	8	19" used for blocking the airflow and aesthetic
PBBLK2UC	2U Clicking type blank panel	2U	505 x 100 x 55	4	19" used for blocking the airflow and aesthetic
PBBLK3UC	3U Clicking type blank panel	3U	500 x 145 x 50	4	19" used for blocking the airflow and aesthetic
PBBLK4UC	4U Clicking type blank panel	4U	500 x 190 x 55	4	19" used for blocking the airflow and aesthetic

# Rack Accessories

## Rack Panels

### Plastic Blank Panel

**Material** : Flame retardant ABS material  
**Surface Finish** : Degreasing, pickling, phosphoric, powder coated.



Model	Part name	Size	Usage
PPBLK1U	1U Plastic blank panel	1U	19" used for blocking the airflow and aesthetic

### Cable Duct



**Material** : t1.2 SPCC cold rolled steel.  
**Surface Finish** : Degreasing, pickling, phosphoric, powder coated.

#### Overhead Cable Management System: Organized, Accessible, Manageable

- Overall cooling efficiency improves because conditioned air is not blocked by cable dams below the plenum.
- Valuable space is opened up within rack enclosures. Large high-density bundles lie flat to avoid harsh, damaging bends.
- Re-cabling due to moves, adds, and changes is faster and easier and consequently less expensive.



Model	Part name	Height	Usage
CDUCT600	Cable duct, 600mm enclosures	597	Apply to P1500 series
CDUCT800	Cable duct, 800mm enclosures	797	Apply to P1500 series
CDUCTEND	End cap		Apply to P1500 series

# Rack Accessories

## Cable Management Panels

### Metal Cable Manager with 5 Rings

**Material** : t1.2 SPCC cold rolled steel.  
**Surface Finish** : Degreasing, pickling, phosphoric, powder coated.



Model	Part name	Size	Packing Dimension	Qty	Usage
ODCM1U1R5	Metal cable manager with 5 rings	1U	505 x 100 x 55	1	19" for cable management

### Metal Cable Manager with 5 Rings

**Material** : t1.2 SPCC cold rolled steel.  
**Surface Finish** : Degreasing, pickling, phosphoric, powder coated.



Model	Part name	Size	Packing Dimension	Qty	Usage
ODCM1U1Q5	Metal cable manager with 5 rings	1U	505 x 100 x 55	1	19" for cable management

### Cable Manager with 5 Plastic Rings

**Material** : t1.2 SPCC cold rolled steel.  
**Surface Finish** : Degreasing, pickling, phosphoric, powder coated.



Model	Part name	Size	Packing Dimension	Qty	Usage
ODCM1UY5	Metal cable manager with 5 rings	1U	505 x 100 x 55	1	19" for cable management

### Metal Slotted Cable Manager with Cover

**Material** : t1.2 SPCC cold rolled steel.  
**Surface Finish** : Degreasing, pickling, phosphoric, powder coated.



Model	Part name	Size	Packing Dimension	Qty	Usage
ODCM1UM	1U Metal slotted cable manager with cover	1U	505 x 100 x 55	12	19" for cable management
ODCM2UM	2U Metal slotted cable manager with cover	2U	505 x 100 x 55	12	19" for cable management

# Rack Accessories

## Cable Management Panels

### Cable Manager with 5 Plastic Rings

**Material** : t1.2 SPCC cold rolled steel.  
**Surface Finish** : Degreasing, pickling, phosphoric, powder coated.



Model	Part name	Size	Packing Dimension	Qty	Usage
ODCM1U1P5	1U Cable manager with 5 plastic rings	1U	505 x 100 x 55	1	19" for cable management
ODCM2U1P5	2U Cable manager with 5 plastic rings	2U	505 x 100 x 55	1	19" for cable management

### Plastic 5 Rings Double Side Cable Management

**Material** : t1.2 SPCC cold rolled steel.  
**Surface Finish** : Degreasing, pickling, phosphoric, powder coated.



Model	Part name	Size	Packing Dimension	Qty	Usage
ODCM1U2P5	1U Plastic 5 rings double side cable management	1U	505 x 115 x 55	1	19" for cable management
ODCM2U2P5	1U Plastic 5 rings double side cable management	2U	505 x 115 x 55	1	19" for cable management

### Perforated Finger Type Management

**Material** : t1.2 SPCC cold rolled steel.  
**Surface Finish** : Degreasing, pickling, phosphoric, powder coated.



Model	Part name	Size	Packing Dimension	Qty	Usage
ODCM1UP	Perforated finger type cable management 1U	1U	505 x 115 x 55	1	19" for cable management
ODCM2UP	Perforated finger type cable management 2U	2U	505 x 115 x 55	1	19" for cable management

# Rack Accessories

## Shelves and Drawers

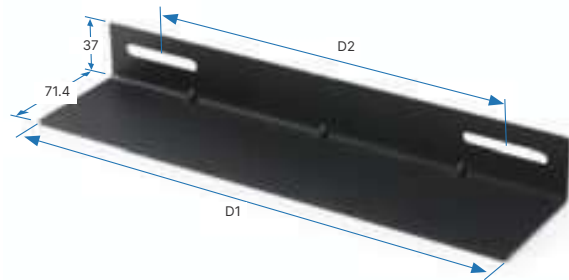
### L Rail

Used for supporting internal equipment of cabinet

**Material** : t2.0 SPCC cold rolled steel.

**Surface Finish** : Degreasing, pickling, phosphoric, powder coated.

**Loading capacity** : 60 KG



Model	D1	D2	Usage
P1103B	300	225	apply to Depth 600mm network cabinet & Depth 450mm wall mount cabinet
P1104B	400	325	apply to Depth 600 wall mount cabinet
P1105B	500	425	apply to Depth 800mm network cabinet

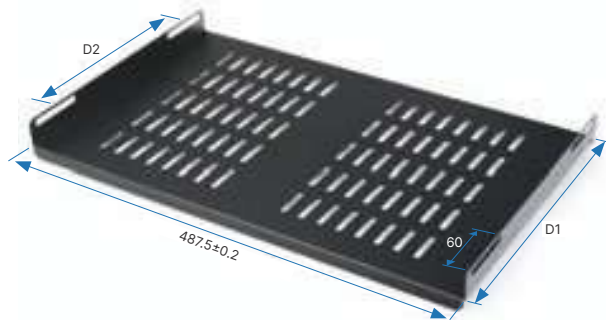
### 80kg Fixed Shelf

Used for supporting internal equipment of cabinet

**Material** : t2.0 SPCC cold rolled steel.

**Surface Finish** : Degreasing, pickling, phosphoric, powder coated.

**Loading capacity** : 80 KG



Model	D1	D2	Usage
P1203B	300	220	apply to Depth 600mm network cabinet & Depth 450mm wall mount cabinet
P1204B	400	320	apply to Depth 600 wall mount cabinet
P1205B	500	420	apply to Depth 800mm network cabinet
P1206B	600	570	apply to Depth 1000/1100/1200mm network cabinet

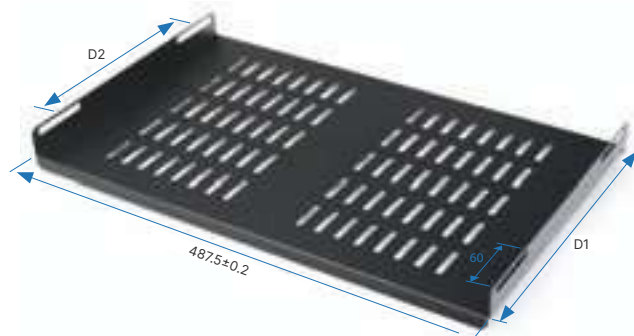
### 50kg Fixed Shelf

Used for supporting internal equipment of cabinet

**Material** : t0.8 SPCC cold rolled steel.

**Surface Finish** : Degreasing, pickling, phosphoric, powder coated.

**Loading capacity** : 50 KG



Model	D1	D2	Usage
P1212B	275	220	apply to Depth 600mm KB network cabinet & Depth 450mm wall mount cabinet
P1214B	475	420	apply to Depth 800mm KB network cabinet
P1216B	625	570	apply to Depth 1000/1100/1200mm KB network cabinet

# Rack Accessories

## Shelves and Drawers

### Cantilever Shelf

Used for supporting internal equipment of cabinet

- Material** : t1.2 SPCC cold rolled steel.
- Surface Finish** : Degreasing, pickling, phosphoric, powder coated.
- Loading capacity** : 20 KG



Model	H	D	Usage
P210125B	250	44	Height1U, Depth250 apply to 19"network cabinet
P210130B	300	44	Height1U, Depth300 apply to 19"network cabinet
P210135B	350	44	Height1U, Depth350 apply to 19"network cabinet
P210230B	300	88	Height2U, Depth300 apply to 19"network cabinet
P210235B	350	88	Height2U, Depth350 apply to 19"network cabinet
P210240B	400	88	Height2U, Depth400 apply to 19"network cabinet

### Cantilever L Level

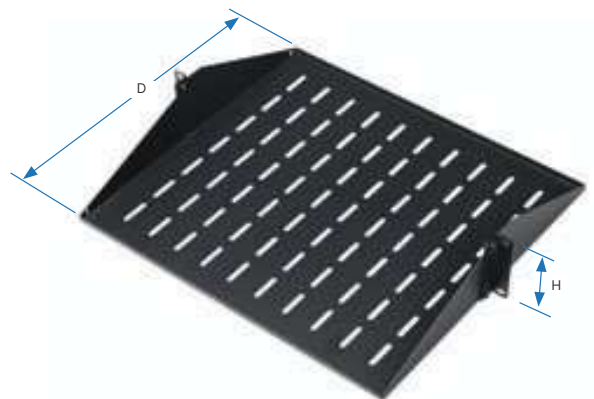
- Material** : t1.2 SPCC cold rolled steel.
- Surface Finish** : Degreasing, pickling, phosphoric, powder coated.
- Loading capacity** : 18 KG



Model	H	D	Usage
P24125B	88.5	400	apply to cantilever shelf or rear of the equipment

### 2U Low-Profile Shelf

- Material** : t1.2 SPCC cold rolled steel.
- Surface Finish** : Degreasing, pickling, phosphoric, powder coated.
- Loading capacity** : 18 KG



Model	Width	Height	Depth	Usage
P2202B	482.6	88.5	400	apply to various open racks

# Rack Accessories

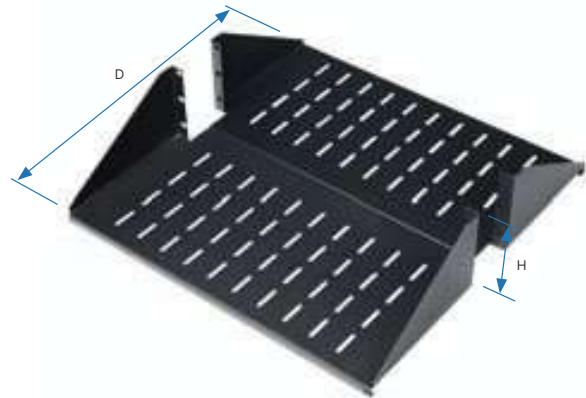
## Shelves and Drawers

### Double-Sided Shelf

For Equipment Storage

**Material** : t1.5 SPCC cold rolled steel.

**Surface Finish** : Degreasing, pickling, phosphoric, powder coated.



Model	Size	Load	Width	Height	Depth	Usage
P2302B	2U	25	491	88.5	500	apply to KOB series open racks
P2303B	3U	35	491	133	500	apply to KOB series open racks
P2304B	4U	40	491	177	600	apply to KOB series open racks
P2305B	5U	90	491	222	600	apply to KOB series open racks

### Fan Unit

**Parameter** : Operating temperature: -10-60°C  
Input: 220VAC/110VAC

**Material** : t1.2 SPCC cold rolled steel.

**Surface Finish** : Degreasing, pickling, phosphoric, powder coated.



Model	Voltage	Fan Unit	Usage
P5202	220V	2	apply to 19" cabinets
P5203	220V	3	apply to 19" cabinets
P5204	220V	4	apply to 19" cabinets

### 1U Light Holder

**Material** : t1.2 SPCC cold rolled steel.

**Surface Finish** : Degreasing, pickling, phosphoric, powder coated.



Model	Voltage	Size	Usage
P7501	220V	1U	For 19" cabinets



# Rack Accessories

## Shelves and Drawers

### Keyboard and Mouse Shelf

- Material** : t1.2 SPCC cold rolled steel.
- Surface Finish** : Degreasing, pickling, phosphoric, powder coated.
- Loading capacity** : 50 KG



Model	Size	Packing Dimension	Usage
P235KB	2U	390×525×570	19"installation cabinets

### Multi Purpose Drawer

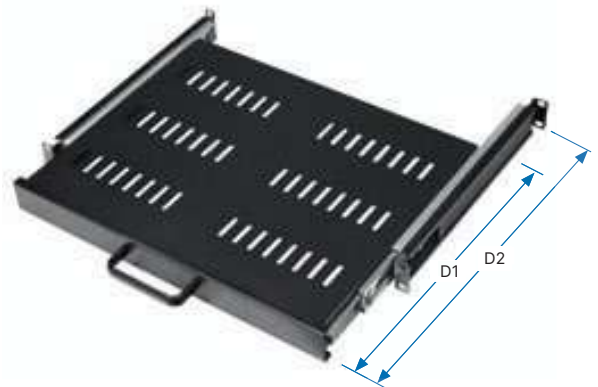
- Material** : t1.2 SPCC cold rolled steel.  
12 inch high quality slide track
- Surface Finish** : Degreasing, pickling, phosphoric, powder coated.



Model	Size	Packing Dimension	Usage
PDRW2U	2U	390×525×570	19"installation cabinets
PDRW3U	3U	390×525×570	19"installation cabinets

### Sliding Shelf

- Material** : t1.2 SPCC cold rolled steel.  
12 inch high quality slide track
- Surface Finish** : Degreasing, pickling, phosphoric, powder coated.
- Loading Capacity** : 50KG
- Slide Track** : 12in(20inch) high quality slude track



Model	D1	D2	Packaing Dimension	Usage
PSLD1U	350	330~600	390×525×570	19"installation cabinets
PSLD1U8	550	530~800		19"installation cabinets

# Rack Accessories

## Panels, Shelves and Drawers

### Metal Cable Management Ring

**Material :**  
SPCC cold rolled steel.

**Surface Finish :**  
Degreasing, pickling,  
phosphoric, powder coated.



### Metal Cable Management Ring

**Material :**  
SPCC cold rolled steel.

**Surface Finish :**  
Degreasing, pickling,  
phosphoric, powder coated.



Model	Usage
P4301	apply to 800 series Cabinets

Model	Dimension	Usage
P4311	74×44×22	apply to 800 series Cabinets

### A Type 1U Cable Management Ring

**Material :**  
Fire retardant.

**Surface Finish :**  
Degreasing, pickling,  
phosphoric, powder coated.



### B Type 1U Cable Management Ring

**Material :**  
Flame retardant plastic and  
cold rolled steel

**Surface Finish :**  
Degreasing, pickling,  
phosphoric, powder coated.



Model	Usage
P430301	apply to cable management

Model	Usage
P430401	apply to cable management

### A Type 2U Cable Management Ring

**Material :**  
Fire retardant.

**Surface Finish :**  
Degreasing, pickling,  
phosphoric, powder coated.



### B Type 2U Cable Management Ring

**Material :**  
Fire retardant.

**Surface Finish :**  
Degreasing, pickling,  
phosphoric, powder coated.



Model	Usage
P430302	apply to cable management

Model	Usage
P430402	apply to cable management

### Multi-function plate

**Material :**  
SPCC cold rolled steel.

**Surface Finish :**  
Degreasing, pickling,  
phosphoric, powder coated.



Model	Usage
P450101	Suit for 800 series network cabinets cable management or PDU fixed

# Rack Accessories - ODFAN01

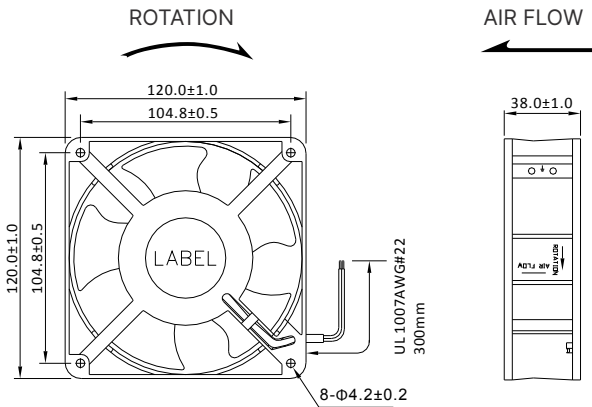
AC AXIAL FAN 120×120×38MM

## General Specifications

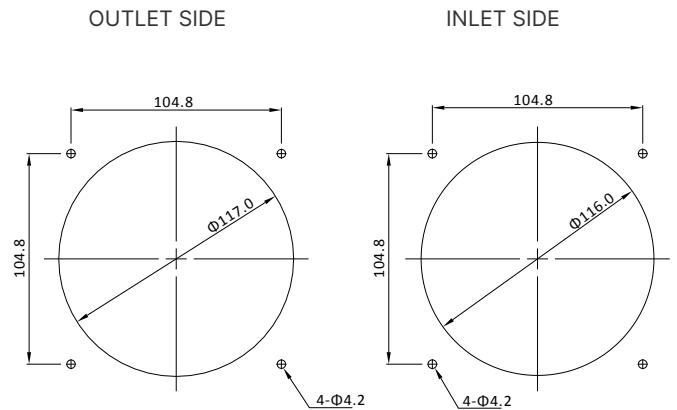
<b>Material</b>	Frame: Aluminum Alloy, Impeller: Plastic(UL94V-0) Lead Wire: UL1007 22# black Terminal: 2.5mm
<b>Motor</b>	Shaded Pole & Internal Rotor Motor
<b>Input Voltage</b>	110V/220V (optional)
<b>Dielectric Strength</b>	50/60Hz, 1500VAC 1Min (between input terminal and frame)
<b>Expected Life</b>	Ball Bearing 50,000hrs, Sleeve Bearing 30,000hrs (40°C)
<b>Temperature Range</b>	Operating temperature -`0°C ~ +70°C Storage temperature -40°C ~ +70°C



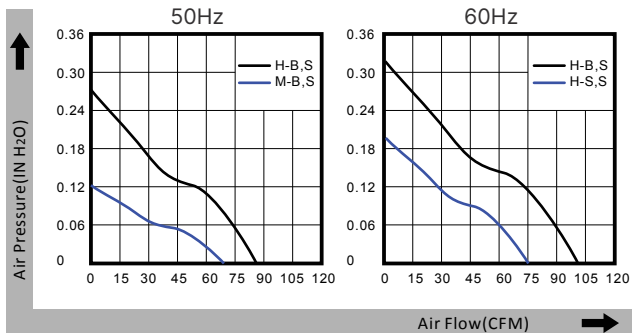
## Dimensions (mm)



## Mounting Panel Cutout (mm)



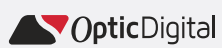
## PQ Curve(At Rated Voltage)



## Safety Standards



## WORRY FREE END-TO-END CABLING SOLUTIONS



Product design and specifications are subject to change without notice.  
All pictures in this content are for illustration purpose only, actual product may vary.



[optic-digital.com](http://optic-digital.com)