

# RG214/U 97% Silver Copper Braid LSZH

## Coaxial Cable, 50 Ohm

### Construction

Material	Detail
<b>Inner conductor</b>	Stranded copper wires, silver plated 7 x 0.75, diameter 2.25 ± 0.10 mm
<b>Insulation</b>	PE, diameter 7.25 ± 0.10 mm
<b>1st braid</b>	Silver plated, 94% coverage
<b>2nd braid</b>	Silver plated, 97% coverage
<b>Jacket</b>	Low Smoke Zero Halogen

### Mechanical Specification

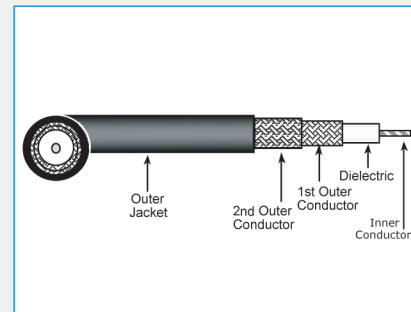
<b>Minimum Bend Radius</b>	without load	5 x outer diameter	54 mm
	with load	10 x outer diameter	108 mm
<b>Temperature</b>	during operation	-45° C to + 85° C	
	during installation	-15° C to + 55° C	
<b>Corrosivity of fire gases</b>		acc. to IEC 60754-2	
<b>Smoke density</b>		acc. to IEC 61034-1 and 2	

### Electrical Specification at 20°C

<b>DC Resistance</b>		Ω / kft
<b>Inner Conductor</b>		18.70
<b>1st Braid</b>		20.34
<b>2nd Braid</b>		20.34
<b>Mutual Capacitance, Nominal</b>	30.5 pF/ft	
<b>Characteristic Impedance, Ω</b>		50 ± 3
<b>Velocity Ratio, %</b>		66
<b>Maximum Operating Frequency</b>		11 GHz
<b>Operating Voltage</b>		3.7 kV rms
<b>Test Voltage</b>	Inner/Outer conductor	10.0 kV rms

### Ordering Information

P/N	Product Description	P.U
RG4157	RG214/U 97% Silver Copper Braid PVC	500m/drum
RG4257	RG214/U 97% Silver Copper Braid LSZH	500m/drum
RG4357	RG214/U 97% Silver Copper Braid FRNC	500m/drum



### Application

Any device that functions as a transmitter or transceiver tends to use 50 Ohm Coaxial Cable. Widely used for industrial and commercial two-way radio frequency applications (including radio, and telecommunications). Used for high-frequency signal transmission.

Suitable for high EMI environments.

### Fire Rating

- IEC 60332-1, IEC 61034-2, IEC 60754-1/2

### Optional

- PVC/ FRNC