

# UC C400 MJ TR U WH V1/ BK V1

Keystone Jack, Cat.6, RJ45, UTP, 180° Punch-down, Tool, Solid White/ Black

## Specification

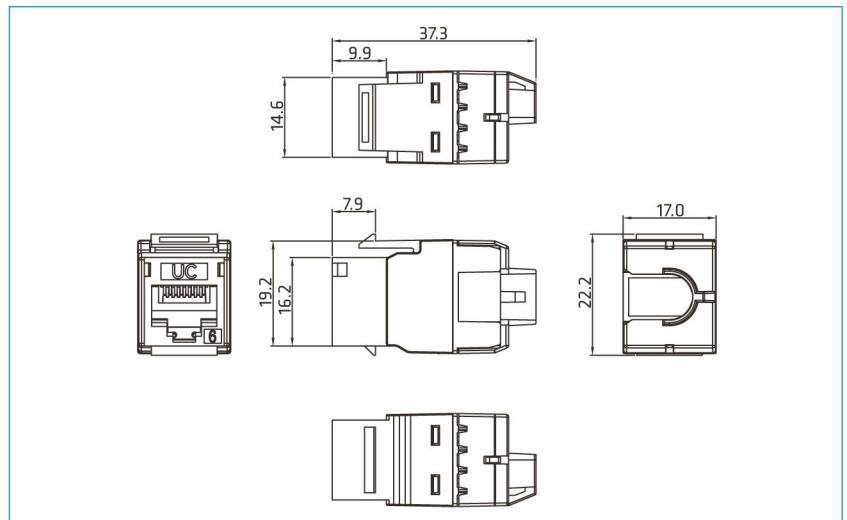
Item	Description
<b>RJ45 Housing</b>	ABS+PC, UL94V0
<b>Contacts and IDC</b>	Phosphor bronze
<b>Contact Surface Finish</b>	50u" gold plated over contact area
<b>IDC Surface Finish</b>	Tin plated
<b>IDC Housing</b>	PC, UL94V0
<b>PCB</b>	FR4 94V0

## Performance

Item	Description
<b>Wiring</b>	TIA 568 A/B
<b>IDC Type</b>	110
<b>Insertion Force</b>	<=30N
<b>Plug Insertion Life</b>	800 times insertion (RJ45, RJ11/RJ12)
<b>Wire Size Capability</b>	24 ~ 26 AWG solid wire



- Category 6 hardware compliant performance.
- High Density Design provides optimize usage of rack space.
- Requires Punch-down Tool P/N CJ9340.
- Component level tested.



## Ordering Information

SAP IC	UC P/N	UC Material Code	Product Description	P.U
<b>YMJB01567</b>	MJTR8667W	UC C400 MJ TR U WH V1	Keystone Jack, Cat.6, RJ45, UTP, 180° Punch-down, Tool, Solid White	1pc/bag
<b>YMJB01568</b>	MJTR8667B	UC C400 MJ TR U BK V1	Keystone Jack, Cat.6, RJ45, UTP, 180° Punch-down, Tool, Solid Black	1pc/bag