

UC C300 MJ TS U BU

Keystone Jack, Cat.5e, RJ45, UTP, 180°, Tool Fast, Blue

Specification

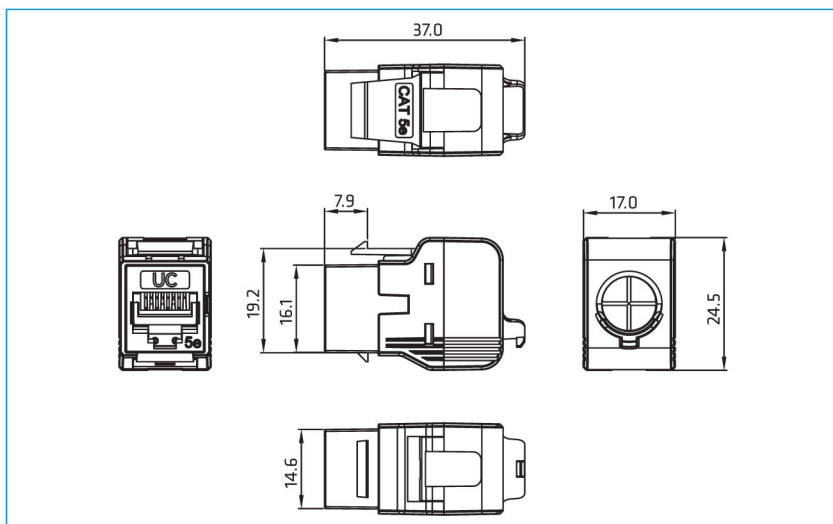
Item	Description
RJ45 Housing	ABS+PC, UL94V0
Contacts and IDC	Phosphor bronze
Contact Surface Finish	50u" gold plated over contact area
IDC Surface Finish	Tin plated
IDC Housing	PC, UL94V0
PCB	FR4 94V0

Performance

Item	Description
Wiring	TIA 568 A/B
Insertion Force	<=30N
Plug Insertion Life	800 times insertion (RJ45, RJ11/RJ12)
Re-Termination	10 Cycles
Wire Size Capability	24 ~ 26 AWG solid wire



- Category 5e hardware compliant performance.
- ToolFast Technology, reduces up to 40% termination time.
- High Density Design provides optimize usage of rack space.
- Requires ToolFast P/N CJ9240.
- Component level tested.



Ordering Information

SAP IC	UC P/N	UC Material Code	Product Description	P.U
YMJBPO0335	MJTR9660	UC C300 MJ TS U BU	Keystone Jack, Cat.5e, RJ45, UTP, 180°, Tool Fast, Blue	1pc/bag