

UC CACC CJ V1

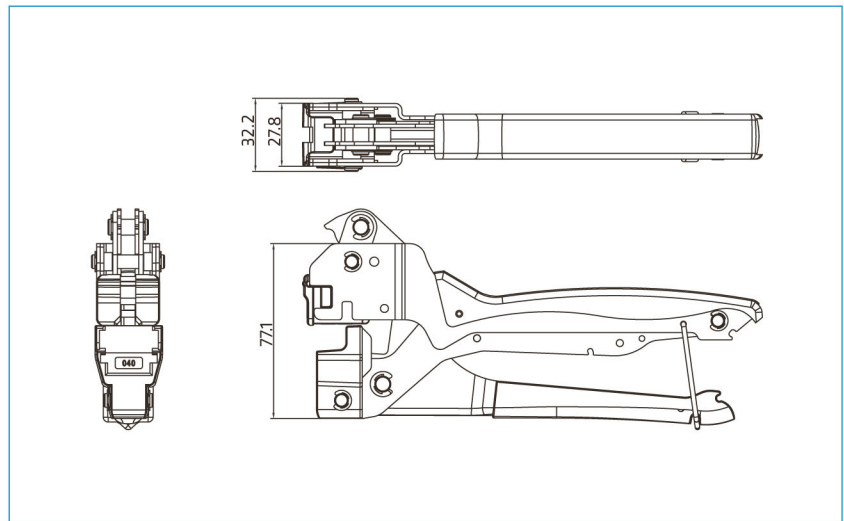
Punch down Tool for MJTR 8 Series Keystones

Specification

Item	Description
Handle	Steel, Black Oxide
Jack Holder	Nylon + 30% GF
Blade	Steel



- Press & cut 8 conductors at once saves installation time.
- Accurate and clean cut makes the installation consistent and reduce the failure rate by installers.
- Renewable wire-cutting blade for durable installation.
- Tool may be stowed by using the integrated lock.



Ordering Information

SAP IC	UC P/N	UC Material Code	Product Description	P.U
YPPBP01579	CJ9340	UC CACC CJ V1	Punch down Tool for MJTR 8 Series Keystones	1pc/box