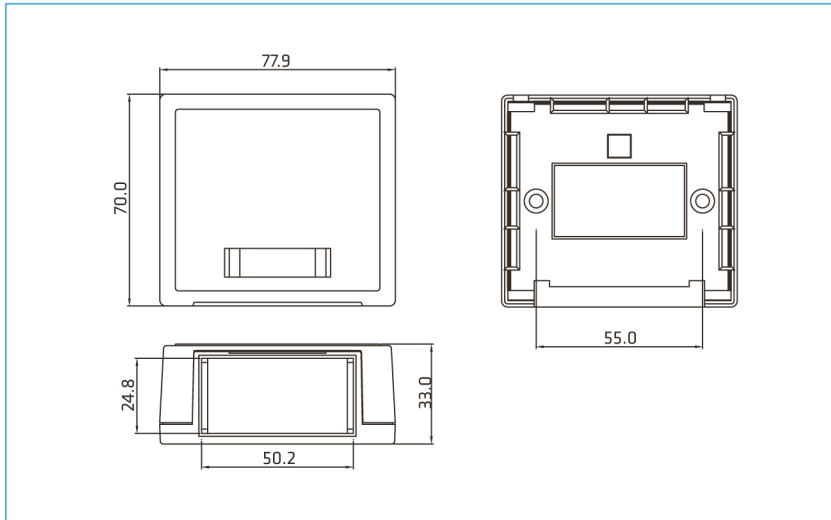


UC CACC DB 02

10G Surface Mount Box, 2-port, White ,NHD



Ordering Information

SAP IC	UC P/N	UC Material Code	Product Description	P.U
YDBBP00356	DB9252	UC CACC DB 02	10G Surface Mount Box, 2-port, White ,NHD	1pc/bag