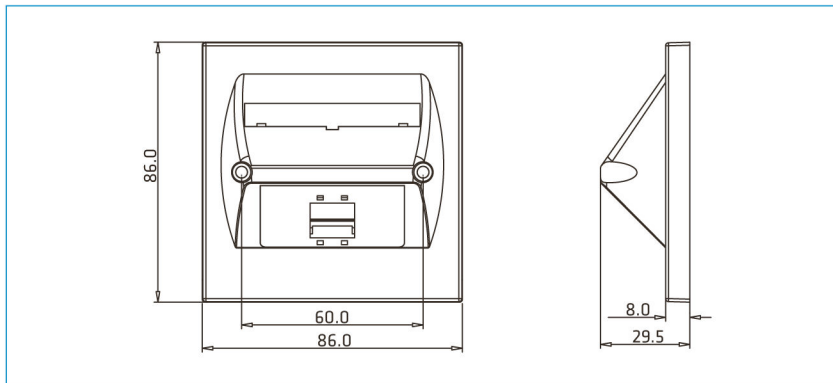


UC CACC FP CA 01

10G BS Angle Faceplate with Shutter, 1-port , White



Ordering Information

SAP IC	UC P/N	UC Material Code	Product Description	P.U
YFPBP00351	FPCA9286	UC CACC FP CA 01	10G BS Angle Faceplate with Shutter, 1-port , White	1pc/bag